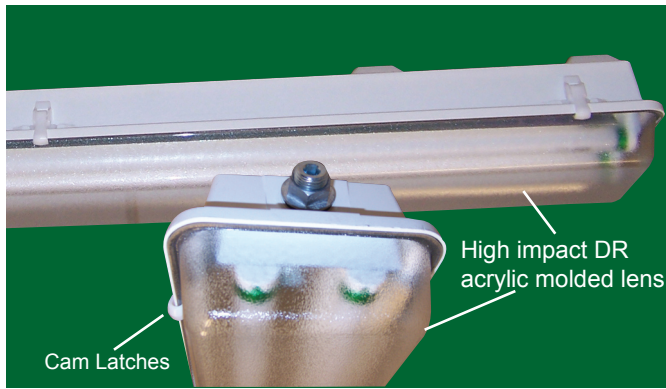


# 67 SERIES

Institutional IP67 Linear



Specifier's Reference	
Project Name	Type
Catalog No.	
Comments	

- **Listings/Certifications:** Wet location, ETL (US/Canada), IP67 listing, NSF Non-Food Zone

## Specifications

- **Housing:** White one piece, molded fiberglass reinforced polyester body. No rusting, no oxidation and no corrosion. Smooth exterior surface for easy cleaning.
- **Lens:** High impact DR acrylic molded lens.
- **Reflector:** Miro-4 Specular Alzak reflector.
- **Gasket:** Continuous compressible closed cell gasket provides tight seal between plastic enclosure and luminaire body
- **Emergency Ballast:** Optional ballast, UL Listed. (DEB-7W or DEB-5W emergency ballasts must be used to maintain wet location listing.)
- **Fasteners:** ABS cam action latches.
- **Lamps:** 1 or 2 lamps available. Lamps provided by others.
- **Ballasts:** Standard electronic ballasts. Other ballast options available.
- **Finish:** Standard oyster white polycarbonate housing. Custom colors not available.
- **Mounting:** Two gasketed threaded (1/2" trade size) fittings factory installed in ends of luminaire. Mounting brackets available, order separately.
- **Certification:** IP67 listed, NSF Certified for non-food zone installations.

## Ordering Information

Example: **67 - 17 - 2 - 120V - EB10I - GLR1**

Series	Size	Lamps	Voltage	Ballast Type	Options
<b>67</b>					
	<b>2' Unit</b> 17 - 17WT8	<b>-1</b> One Lamp	<b>-120V</b>	<b>EB</b> - Electronic ballast, <20% THD (Standard)	<b>E1-</b> DEB-1 emerg. ballast, 350-450 lumens, UL dry loc
	<b>4' Unit</b> 28 - 28WT5 32 - 32WT8 44HO - 44WT8	<b>-2</b> Two Lamps	<b>-277V</b> <b>-347V</b>	<b>EBH</b> - High ballast factor electronic ballast (F17T8 & F32T8 only) <b>EB10I</b> - Electronic ballast, instant start, <10% THD <b>EB10R</b> - Electronic ballast, program rapid start, <10% THD (F32T8 only, std. for T5/T5HO)	<b>E7-</b> DEB-7 emerg. ballast, 600-700 lumens, UL dry loc <b>E5-</b> DEB-5 emerg. ballast, 1100-1400 lumens, UL dry loc <b>E5ST-</b> DEB-5ST emerg. ballast, 1100-1400 lumens self test <b>E7W-</b> DEB-7W emerg. ballast, 600-700 lumens, UL wet loc <b>E5W-</b> DEB-5W emerg. ballast, 1100-1400 lumens, UL wet loc
	<b>8' Unit</b> 54HO - 54WT5 59 - 59WT8 86HO - 86WT8				<b>LT</b> - Low temperature (0° F) start ballast. <b>GLR1</b> - GLR Fusing



ABS Cam latches provide tight seal.

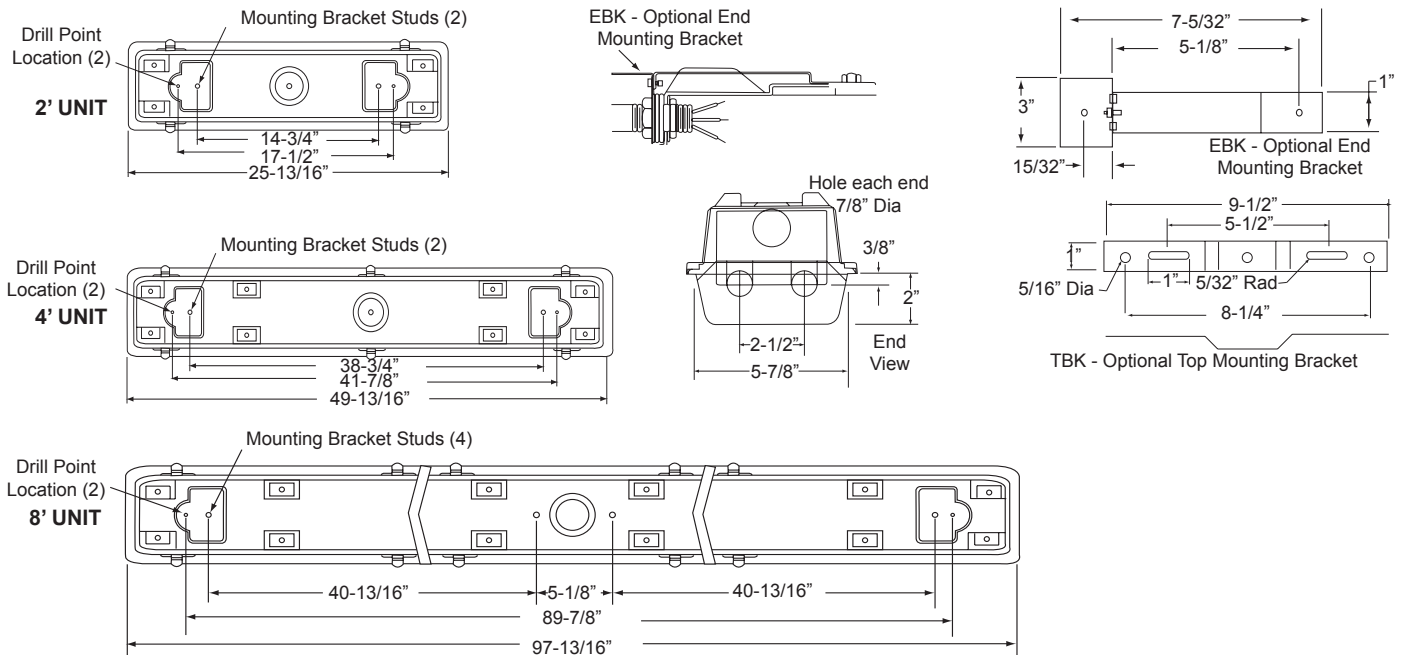


High Impact DR Acrylic Lens absorbs shock and provides excellent light distribution.

**Note: Contact Factory For Additional Configurations.**



**Dimensions & Mounting**

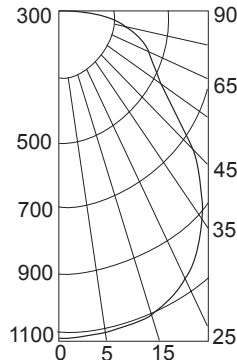


**Photometry**

Coefficients of Utilization

Ceiling	80	70	50	30							
Wall	70	50	30	10	70	50	30	10	50	30	10
RCR	0	95	95	95	93	93	93	93	88	88	88
	1	86	82	78	75	84	80	76	73	76	73
	2	78	71	65	60	76	69	64	59	66	61
	3	71	62	56	50	69	61	55	50	58	53
	4	65	55	48	42	62	54	47	42	51	45
	5	59	49	41	36	57	47	40	35	45	39
	6	54	43	36	30	53	42	35	30	40	34
	7	50	39	31	26	48	38	31	26	36	30
	8	46	35	27	22	44	34	27	22	32	26
	9	42	31	24	19	41	30	24	19	29	23
	10	39	28	21	17	38	27	21	17	26	20

**Candlepower Distribution**



Test # 17014 (Rep Gen v4.0)

IES File D17014.IES

CAT NO.: 67-2-32-120V-EB

LAMP: F32T8

BALLAST: ADVANCE REL-2P32-RH-TP

2 lamps, 2900 Lumens/lp, Total fixt.

lumens = 4827, Fixt. Eff. = 83.2%

Ballast Factor 0.920, Input Watts = 64

Check website for most current information:

[www.morlitelighting.com](http://www.morlitelighting.com)

Test # LSC7929 (Rep Gen v4.0)

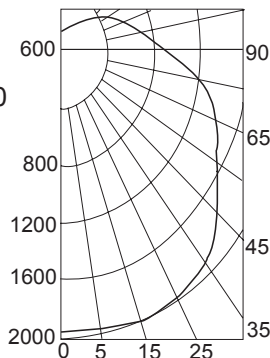
IES File LSC7929.IES

CAT NO.: 67-25-9-120V-EB

LAMP: F86T8/SP35

BALLAST: MOTOROLA M2-IN-T8-8FT-A-120

**Candlepower Distribution**



Coefficients of Utilization

Ceil	80	70	50	30							
Wall	70	50	30	10	70	50	30	10	50	30	10
RCR	0	89	89	89	87	87	87	87	81	81	81
	1	79	75	71	67	76	72	69	65	68	65
	2	71	64	58	53	68	62	56	52	58	53
	3	64	55	48	43	62	54	47	42	50	45
	4	59	49	41	36	56	47	40	35	44	38
	5	54	43	36	30	52	42	35	30	39	33
	6	49	39	31	26	47	37	31	26	35	29
	7	46	35	28	23	44	34	27	22	32	26
	8	42	32	25	20	41	31	24	20	29	23
	9	40	29	22	18	38	28	22	18	27	21
	10	37	27	20	16	36	26	20	16	25	19

Some luminaires use fluorescent or high intensity discharge (HID) lamps that contain small amounts of mercury. Such lamps are labeled "Contains Mercury" and/or the symbol "Hg." Lamps that contain mercury must be disposed of in accordance with local requirements. Information regarding lamp recycling and disposal can be found at [www.lamprecycle.org](http://www.lamprecycle.org).