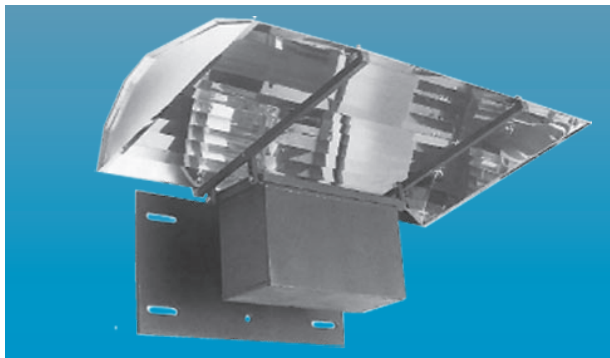


BP-1000 SERIES

Bullet Proof Pole or Wall Mounted

INSTITUTIONAL/BEHAVIORAL



Specifier's Reference	
Project Name	Type
Catalog No.	
Comments	

- **Listings/Certifications:** Wet location, ETL (US/Canada) listing

Specifications

- **Housing:** Comprised of special bullet proof steel joined into solid weldment, enamel finished. Fragmentation guard prevents bullet fragment damage to reflector. Fixture housing capable of withstanding direct impact of 7.62 NATO (M-14), 5.56 NATO (M-16), 30/06 Winchester, 7.62 X 39, and all commercial pistol calibers. Optional housing model will withstand impact of handgun fire from 9mm, .22, .25, .38, .45 and .357 caliber weapons.
- **Weight:** BPX model - 130lbs, BPM model - 100lbs. Weight includes housing and all components, external reflector assembly and wall mount. Deduct 20lbs for pole mount.
- **Effective Projected Area (EPA):**
 Single Fixture EPA = 2.44 sq feet
 Twin Fixture 180°, EPA = 4.9 sq feet
 Twin Fixture 90°, EPA = 5.72 sq feet
- **Reflectors:** Adjustable specular asymmetrical throw reflector with 16ga galvanized shroud hinged to provide easy access to lamp ballast compartment. Roadway Type 3 distribution provided. Removable internal specular reflector.
- **Shielding:** 3/16" clear tempered glass sealed into door frame.
- **Electrical:** Fixture capable of using either a 250 or 400 watt H.P.S. (ED-18) or M.H. (T-15) lamps. Lamps mount in porcelain mogul base hinged to allow easy lamp access and shock mounted to avoid lamp damage. Ballast tray mounted directly to the housing for heat dissipation. A C.W.A. core and coil H.P.S. 250 or 400 watt, 60 Hz ballast with capacitor and ignitor shall be used. For M.H. lamps, ignitor not required.
- **Lamps:** Lamps Included. See below for lamping options.
- **Note:** Specifications subject to change without notice

Ordering Information

Example: **BPX1000 - 250HPS - WM - 120V**

Series	Gauge	Lamp	Mounting	Options	Voltage
BP	<input type="text"/>	1000	<input type="text"/>	<input type="text"/>	<input type="text"/>
	-X Rifle & Handgun	-250HPS 250W High Pressure Sodium	-WM Wall Mounted	-PC Photo Cell (Wall Mount Only)	-120V
	-M Handgun Only	-400HPS 400W High Pressure Sodium	-PM Pole Mounted		-277V
		-250MH 250W Metal Halide			
		-400MH 400W Metal Halide			

Features



Asymmetric, specular aluminum reflector provides Type 3 roadway light distribution. Hinged for easy lamp access.



Lamp mounted in porcelain mogul base and is hinged to facilitate lamp replacement. 1/4" fragment guard welded to housing exterior minimizes bullet damage to reflector.



250 or 400 watt metal halide or high pressure sodium lamp, included. Gas-keted, tempered glass lens removes easily for maintenance and protects from moisture, dirt and insects.

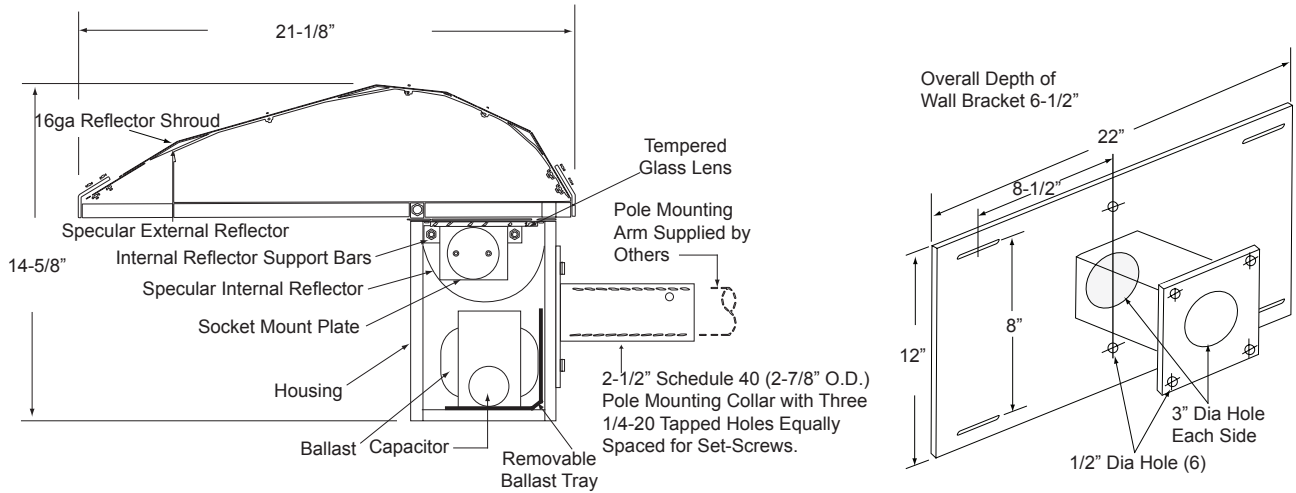
Note: Contact Factory For Additional Configurations.

Morlite
TOUGH SITES TOUGH LITES

1805 Pittsburgh Ave, Erie, PA 16502 • 800-865-5954 • Fax 800-667-9959

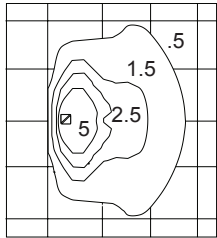


Dimensions & Mounting



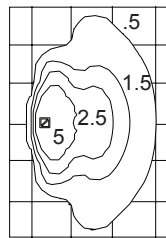
Photometry

Candlepower Distribution



Lamp: 250W CLR HPS
 ASNSI/IES Class: III-S-C
 Rated Lumens: 27,500
 Horizontal Footcandles Scale: 1/2" = 20ft
 Light Loss Factor: 1
 Mounting Height: 25ft
 Arm Length: 0ft
 Maximum Calculated Value: 12.6
 Grid Increment: Mounting Height

Candlepower Distribution



Lamp: 400W CLR HPS
 ASNSI/IES Class: III-S-C
 Rated Lumens: 50,000
 Horizontal Footcandles Scale: 1/2" = 20ft
 Light Loss Factor: 1
 Mounting Height: 25ft
 Arm Length: 0ft
 Maximum Calculated Value: 22.9
 Grid Increment: Mounting Height

Test Report: LRL-1294-9A Lighting Research Laboratory full report for 250HPS and 400HPS lamps, 20, 25 or 30ft mounting heights available upon request.

Recommended Pole Selection Table

	Mntg Height	Wind Velocity			
		70MPH	80MPH	90MPH	100MPH
Single Fixture	15ft	4"sq X 11ga wall	4"sq X 11ga wall	4"sq X 11ga wall	4"sq X 11ga wall
Single Fixture	20ft	4"sq X 11ga wall	4"sq X 11ga wall	4"sq X 11ga wall	4"sq X 11ga wall
Single Fixture	25ft	4"sq X 11ga wall	4"sq X 11ga wall	4"sq X 7ga wall	5"sq X 11ga wall
Twin 180° Fixture	15ft	4"sq X 11ga wall	4"sq X 11ga wall	4"sq X 11ga wall	4"sq X 11ga wall
Twin 180° Fixture	20ft	4"sq X 11ga wall	4"sq X 11ga wall	4"sq X 11ga wall	4"sq X 11ga wall
Twin 180° Fixture	25ft	4"sq X 11ga wall	4"sq X 7ga wall	5"sq X 11ga wall	5"sq X 7ga wall
Twin 90° Fixture	15ft	4"sq X 11ga wall	4"sq X 11ga wall	4"sq X 11ga wall	4"sq X 7ga wall
Twin 90° Fixture	20ft	4"sq X 11ga wall	4"sq X 7ga wall	5"sq X 11ga wall	5"sq X 7ga wall
Twin 90° Fixture	25ft	4"sq X 7ga wall	5"sq X 7ga wall	6"sq X 7ga wall	6"sq X 7ga wall