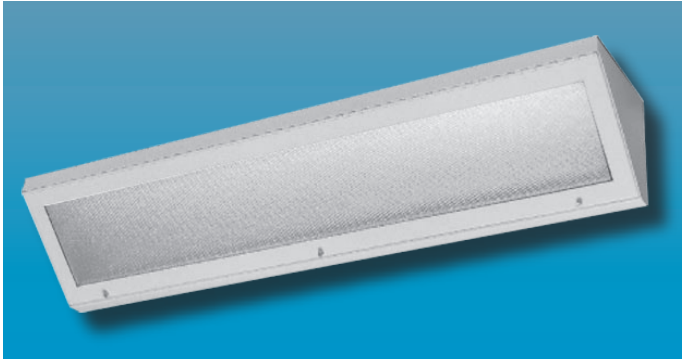


# CE-89 SERIES

MINIMUM SECURITY CORNER MOUNTED WET/DAMP

# INSTITUTIONAL/BEHAVIORAL



Specifier's Reference	
Project Name	Type
Catalog No.	
Comments	

• **Listings/Certifications:** ETL (US/Canada). Wet location listing

## Specifications

- **Housing:** 18-gauge cold rolled steel housing with reinforced lapped and welded seams.
- **Door:** 18-gauge one-piece cold rolled steel door.
- **Hinge:** Continuous stainless steel piano hinge welded to door and housing.
- **Lens:** Standard .125" thick clear prismatic acrylic with smooth side exposed to facilitate cleaning. Optional lensing shown below.
- **Lens Retention:** Vertically adjustable "Z" shaped retaining angles secured with through studs and die-cast locknuts.
- **Gasket:** Lens and door sealed with closed cell neoprene gasketing.
- **Lamps:** See below for lamping options. Lamps supplied by others.
- **Ballasts:** Standard universal voltage 120V through 277V electronic 90% power factor <10% THD. Other ballast options available.
- **Finish:** Standard baked white polyester powder coat paint finish. Optional AglION™ antimicrobial finish available.

## Ordering Information

Example: **CE89 - 4 - 2 - T8 - EB10IS - A - SS - UNV**

Series	Size	No. Lamps	Lamp Type	Ballast Type	Lens Type	Options	Voltage
<b>CE89</b>	<input type="checkbox"/>	<input type="checkbox"/>	<input type="checkbox"/>	<input type="checkbox"/>	<input type="checkbox"/>	<input type="checkbox"/>	<input type="checkbox"/>
	<b>-2</b> Nominal 2' Unit	<b>-1</b> One Lamp	<b>-T8</b> 32W (4') 17W (2')	<b>-EB10IS</b> Electronic Ballast <10% THD Instant Start	<b>-A</b> .125 Prismatic Acrylic (standard)	<b>-EMG1</b> 1-Lamp Emergency Power Pak	<b>-UNV</b>
	<b>-4</b> Nominal 4' Unit	<b>-2</b> Two Lamps	<b>-BX</b> 40W (Available in 2' units only)	<b>-SB</b> Specified Ballast	<b>-E</b> .125 Prismatic Polycarbonate	<b>-EMG2</b> 2-Lamp Emergency Power Pak	<b>-347V</b>
		<b>-3</b> Three Lamps (Not available with 2' Units)			<b>-F</b> .187 Prismatic Polycarbonate	<b>-SS</b> 20ga Stainless Steel Housing with 18ga Brushed Flange, Brushed Stainless Steel Door	
						<b>-AL</b> .050" Painted Aluminum Housing, .050" Painted Aluminum Door	
						<b>-AG</b> AglION™ Antimicrobial Protection in Powder Coat Paint	
						<b>-GMF</b> Slo Blo Fusing	

Note: Contact Factory For Additional Configurations.

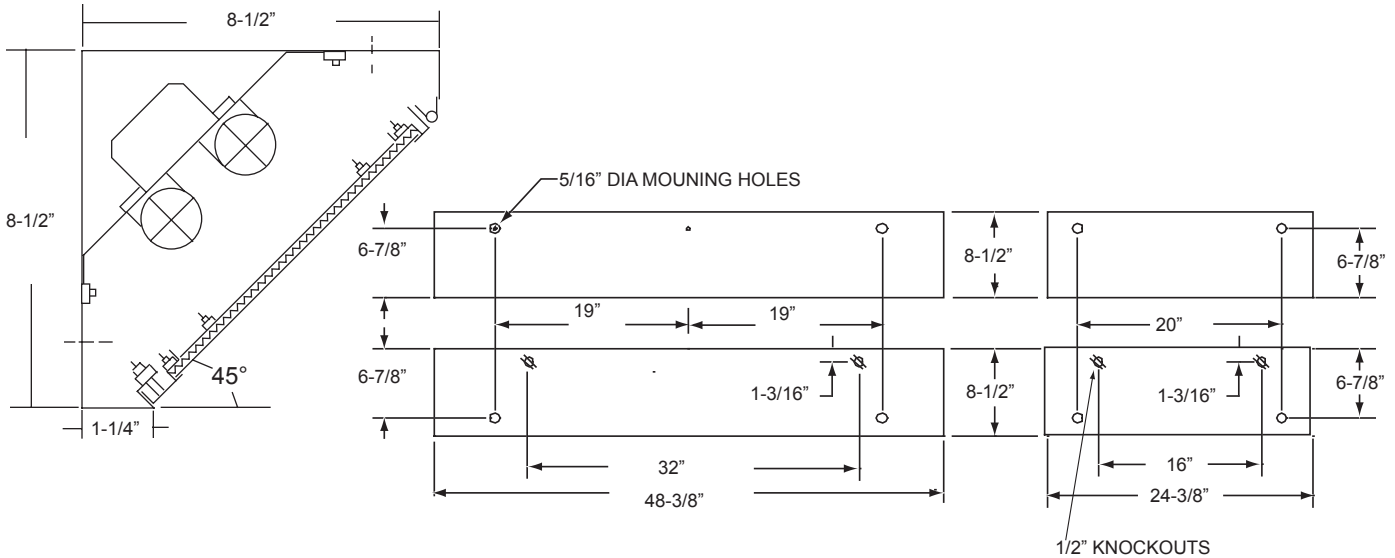
# CE-89 SERIES

CORNER MOUNTED WET/DAMP

# Morlite

TOUGH SITES .... TOUGH LITES

## Dimensions & Mounting

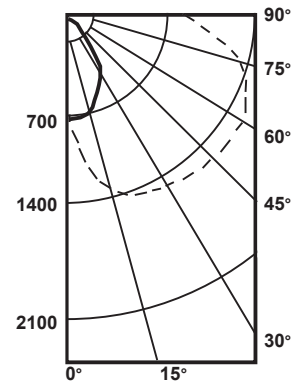


## Photometry

Catalog #CE89-2-2-BX-EB10IS-A-SS-UNV  
 Luminaire Efficiency: 54.9%  
 Lamps: 2 - F40/BIAX/735  
 Input Wattage: 80 Watts  
 Ballast Type: Electronic  
 Ballast Factor: 1.0

Floor Ceilings	20%										
	80%					70%					
Walls(%)	70	50	30	10	70	50	30	10	50	30	10
0	64	64	64	64	62	62	62	62	58	58	58
1	57	54	51	48	55	52	49	47	49	47	45
2	51	46	42	38	49	44	40	37	42	38	35
3	46	40	35	31	45	39	34	30	36	32	29
4	42	35	30	26	40	34	29	25	32	28	24
5	38	31	25	21	37	30	25	21	28	24	20
6	35	27	22	18	34	26	21	18	25	20	17
7	32	24	19	16	31	24	19	15	22	18	15
8	30	22	17	13	28	21	16	13	20	16	13
9	27	19	15	11	26	19	14	11	18	14	11
10	25	18	13	10	24	17	13	10	16	12	10

## Candlepower Distribution



## Options

**Antimicrobial:** Optional Agion™ Antimicrobial protection using silver technology inhibits bacterial colonization on metal interior and exterior surfaces. Agion™ antimicrobial FDA recognized and EPA registered, meeting all applicable EPA standards.

Closed Cell Neoprene Gasket Standard



.125 Prismatic Acrylic Lens Standard

# Morlite

a Genlyte company