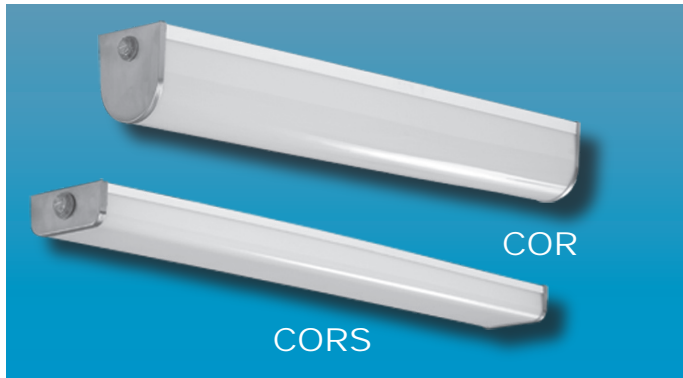


COR/CORS SERIES
 6" WIDE SURFACE MOUNTED WRAP AROUND LENS



**MISCELLANEOUS
 WET LOCATION**

Specifier's Reference	
Project Name	Type
Catalog No.	
Comments	

- **Listings/Certifications:** Wet location, ETL (US/Canada) listing

Specifications

- **Housing:** Two piece die-formed and welded 18 ga prime cold rolled steel housing with removable end caps.
- **Lens:** 1/8" white translucent lens fits in neoprene gasketed housing channels and is held in place by removable end caps..
- **Gasket:** Lens sealed to housing channels and end caps with closed cell neoprene gasketing..
- **Lamps:** See below for lamping options. Lamps supplied by others.
- **Ballasts:** Standard universal voltage 120V through 277V electronic 90% power factor <10% THD. Other ballast options available.
- **Finish:** Standard baked white polyester powder coat paint finish. Optional AglON™ antimicrobial finish available. Also available in corrosion resistant stainless steel.
- **Mounting:** Easily installs via 5/16" mounting holes, hardware by others.

Ordering Information

Example: COR - 2 - 1 - T8 - EB10IS - WA - SSD - UNV

Series	Size	No. Lamps	Lamp Type	Ballast Type	Lens Type	Options	Voltage
-COR 6-5/8" Deep Unit	-2 2' Unit	-1 One Lamp (COR only)	-T8 32W (4') 17W (2')	-EB10IS Electronic Ballast <10% THD Instant Start	-WA .125 White acrylic (standard)	-EMG1 1-Lamp Emergency Power Pak 500 Lumen initial output, 90 minute, 32° start temp.	-UNV (120V-277V)
-CORS 2-3/4" Deep Unit	-4 4' Unit	-2 Two Lamps	-T8HO 54W (2X4) 24W (2X2) 54W (1X4)	-SB Specified Ballast	-WP .125 White Poly-carbonate	-SSD Stainless Steel Door, CRS Housing -SS Stainless Steel Door & Housing -AG AglON™ Antimicrobial Protection in Powder Coat Paint -PF Plaster Frame -GLR GLR/HLR Fuse & Holder set -PL7 7W PL Nightlight	-347V

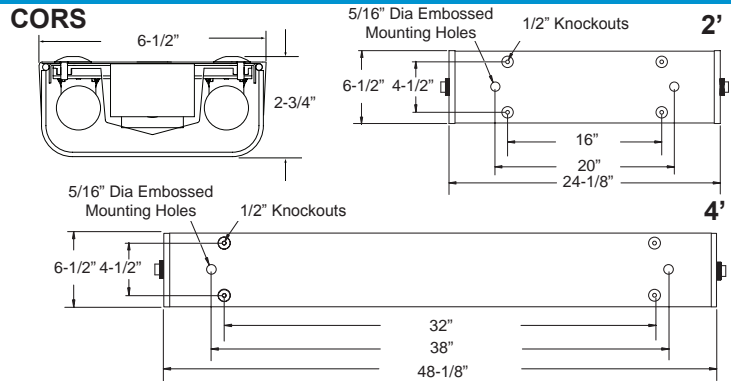
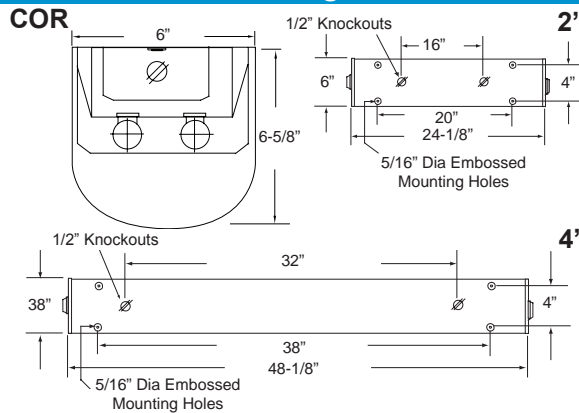
Note: Contact Factory For Additional Configurations.



1805 Pittsburgh Ave, Erie, PA 16502 • 800-865-5954 • Fax 800-667-9959



Dimensions & Mounting



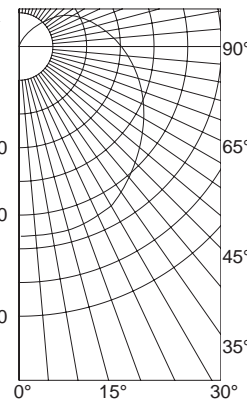
Photometry

Zonal Cavity Coefficient of Utilization

I.T.L. Test No. ITL 37590, Product Catalog Number:
COR-232-WA Lamps: Two 32WT8, each rated 3150

Floor Ceilings Walls(%)	80%				20%				50%			
	70	50	30	10	70	50	30	10	50	30	10	10
0	68	68	68	68	65	65	65	65	59	59	59	59
1	61	57	54	51	58	54	52	49	49	47	45	45
2	54	49	44	40	51	46	42	39	42	39	36	36
3	49	42	37	33	47	40	36	32	37	33	29	29
4	45	37	32	27	42	35	30	26	32	28	24	24
5	41	33	27	23	38	31	26	22	28	24	20	20
6	37	29	23	19	35	28	22	19	25	21	17	17
7	34	26	20	16	32	25	20	16	23	18	15	15
8	32	23	18	14	30	22	17	14	20	16	13	13
9	29	21	16	12	28	20	15	12	18	14	11	11
10	27	19	14	11	26	18	13	10	17	12	10	10

COR



Average Luminance in Footlamberts

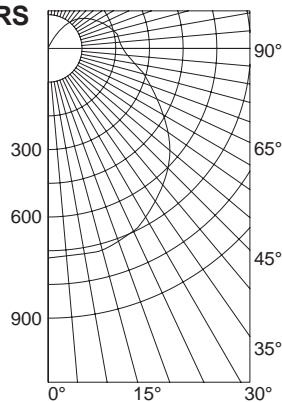
Vertical Angles	Average Brightness	
	Norm	Para
45°	1061	1016
55°	978	971
65°	906	866
75°	850	699
85°	811	400

Lumin. Effi.	Spacing Cross	Maint. Factor
60.3%	1.6	85%

Zonal Cavity Coefficient of Utilization

I.T.L. Test No. ITL 37591, Product Catalog Number:
COR-S-232-WA Lamps: Four 32WT8, each rated 3150

CORS



Average Luminance in Footlamberts

Vertical Angles	Average Brightness	
	Norm	Para
45°	1110	1066
55°	1124	1025
65°	1142	933
75°	1185	787
85°	1329	468

Lumin. Effi.	Spacing Cross	Maint. Factor
57.9%	1.5	85%

Floor Ceilings Walls(%)

	80%				20%				50%			
	70	50	30	10	70	50	30	10	50	30	10	10
0	66	66	66	66	63	63	63	63	58	58	58	58
1	59	56	53	51	56	54	51	49	49	47	45	45
2	53	48	44	40	51	46	42	39	42	39	36	36
3	49	42	37	33	46	40	36	32	37	33	30	30
4	44	37	32	28	42	36	31	27	33	29	25	25
5	40	32	27	23	38	31	26	22	29	24	21	21
6	37	29	24	20	35	28	23	19	26	21	18	18
7	34	26	21	17	32	25	20	17	23	18	16	16
8	31	23	18	15	30	22	18	14	21	16	13	13
9	29	21	16	13	27	20	15	12	18	14	12	12
10	27	19	14	11	25	18	14	11	17	13	10	10

Options

Antimicrobial: Agion™ Antimicrobial protection using silver technology inhibits bacterial colonization on metal interior and exterior surfaces. Agion™ antimicrobial FDA recognized and EPA registered, meeting all applicable EPA standards.



COR **CORS**
Optional Stainless Ends