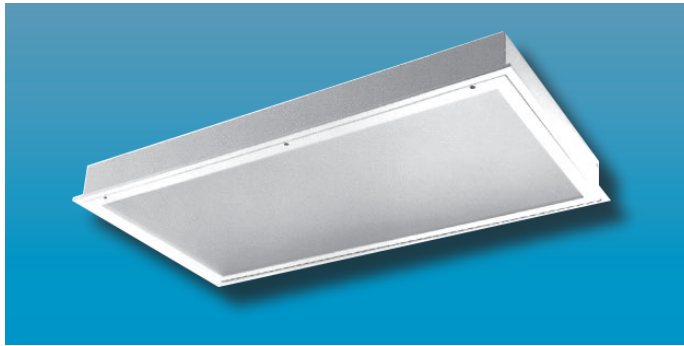


FE SERIES

RECESSED FLANGE FOR WET OR DAMP LOCATIONS



WET LOCATION

Specifier's Reference

Project Name	Type
Catalog No.	
Comments	

- **Listings/Certifications:** Wet location, ETL (US/Canada) listing

Specifications

- **Housing:** One-piece, die-formed 18-gauge cold rolled steel housing with welded flange seams.
- **Door:** One-piece, die-formed 18 gauge cold rolled steel door.
- **Lens:** .125" thick clear prismatic acrylic standard. Optional lensing shown below.
- **Lens Retention:** Full length, vertically adjustable "Z" shaped retaining angles secured by through studs and die cast locknuts.
- **Gasket:** Closed cell neoprene gasketing suitable for wet location applications.
- **Made in the USA.**
- **Lamps:** See below for lamping options. Lamps supplied by others.
- **Ballasts:** Standard universal voltage 120V through 277V electronic 90% power factor <10% THD. Other ballast options available.
- **Finish:** Multi stage pretreatment process. Standard baked white polyester powder coat paint finish. Gloss 85%, reflectance 90% salt spray 1000 hours. Optional AgION™ antimicrobial finish available.
- **Mounting:** Standard mounting hardware, 14-Ga galvanized steel "U" channel mount, accommodates various ceiling types & thicknesses. Optional plaster frame also available.

Ordering Information

Example: FE - 24 - 4 - T5 - EB10IS - 8/A - SS - F1 - UNV

Series	Size	No. Lamps	Lamp Type	Ballast Type	Lens Type	Fasteners	Options	Voltage
FE								
	-24 2 X 4 Unit	-4 Four Lamps	-T8 32W (2X4) 17W (2X2) 32W (1X4)	-EB10IS Electronic Ballast <10% THD Instant Start	ENVIRONMENT SIDE -4 .375 Clear Polycarbonate (standard)	-F1 Allen Head - center pin reject, standard	-EMG1 1-Lamp Emergency Power Pak 500 Lumen initial output, 90 minute, 32° start temp.	-UNV (120V- 277V)
	-22 2 X 2 Unit	-3 Three Lamps	-T5 28W (2X4) 14W (2X2) 28W (1X4)	-SB Specified Ballast	-8 .375" Clear Tempered Glass	-SB Specified Fastener	-EMG2 2-Lamp Emergency Power Pak 1100 Lumen initial output, 90 minute, 32° start temp.	-347V
	-14 1 X 4 Unit	-2 Two Lamps	-T5HO 54W (2X4) 24W (2X2) 54W (1X4)		LAMP SIDE -A .125 Prismatic Polycarbonate -C .140 DR Prismatic Acrylic -G .156 Prismatic Tem- pered Glass -UV .007 UV Absorbing Overlay		-SS Stainless Steel 18 gauge Door & 20 gauge Housing -AL .050" Aluminum door & housing. -AG AgION™ Antimicrobial Protection in Powder Coat Paint -PF Plaster Frame -GLR GLR/HLR Fuse & Holder set -PL7 7W PL Nightlight -WL Wet Location	

Note: Contact Factory For Additional Configurations.

Morlite
TOUGH SITES TOUGH LITES

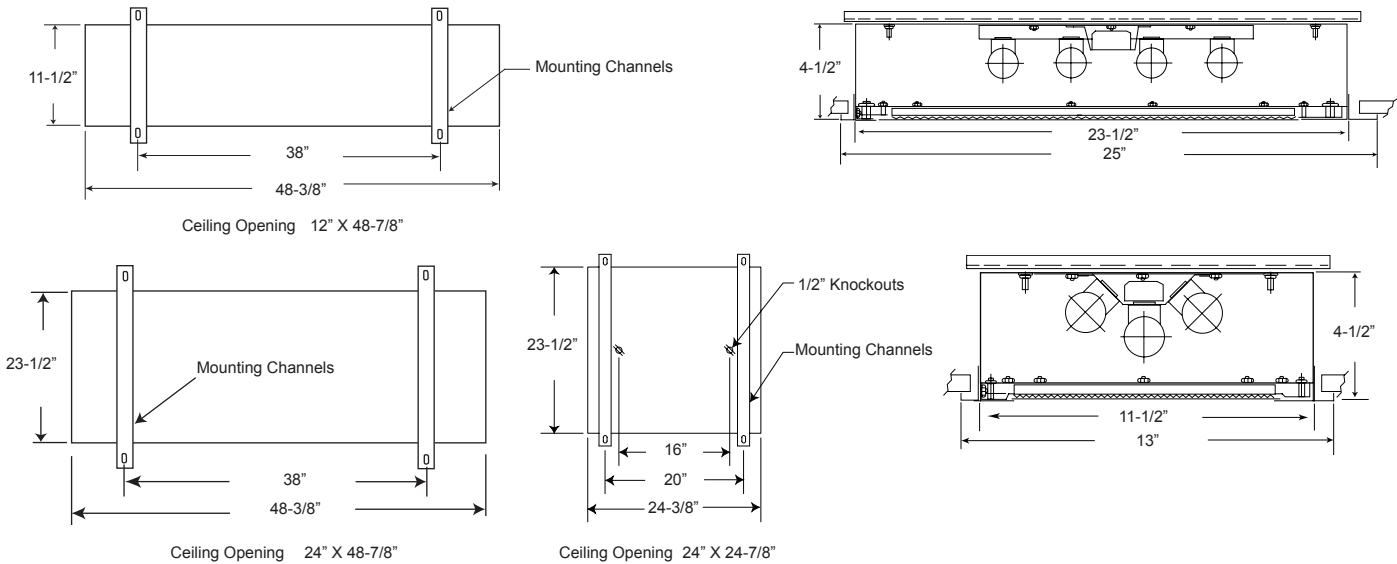
1805 Pittsburgh Ave, Erie, PA 16502 • 800-865-5954 • Fax 800-667-9959



FE SERIES
 RECESSED FLANGE FOR WET OR DAMP LOCATIONS



Dimensions & Mounting

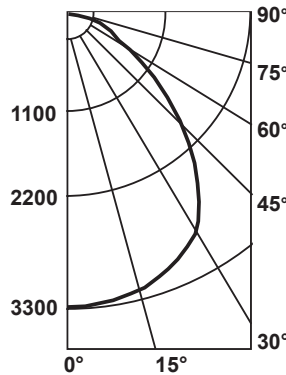


Photometry

Zonal Cavity Coefficient of Utilization
 I.T.L. Test No. ITL 37544, Product Catalog Number:
 FE-24-4-T8-EB10IS-8/A
 Lamps: Four 32WT8, each rated 3150

Floor Ceilings Walls(%)	80%				20% 70%				50%			
	70	50	30	10	70	50	30	10	50	30	10	
0	77	77	77	77	75	75	75	75	72	72	72	
1	71	68	66	64	69	67	65	63	64	62	61	
2	66	61	57	54	64	60	56	53	56	55	52	
3	61	55	50	47	59	54	50	46	52	48	45	
4	56	49	44	40	55	48	44	40	47	43	40	
5	52	44	39	35	50	43	38	35	42	38	34	
6	48	40	35	31	47	39	34	31	38	34	30	
7	44	36	31	27	43	35	30	27	34	30	27	
8	41	32	27	23	40	32	27	23	3	26	23	
9	37	29	24	20	37	28	24	20	26	23	20	
10	35	26	21	18	34	26	21	18	25	21	18	

**Candlepower
Distribution**



**Average Luminance
in Footlamberts**

Vertical Angles	Average Brightness	
	Norm	Para
45°	1560	1284
55°	1216	999
65°	802	729
75°	678	632
85°	984	939

Lumin. Effi.	Spacing Cross	Maint. Factor
64.5%	1.4	85%

Options

Antimicrobial: Agion™ Antimicrobial protection using silver technology inhibits bacterial colonization on metal interior and exterior surfaces. Agion™ antimicrobial FDA recognized and EPA registered, meeting all applicable EPA standards.



.125 Prismatic Acrylic
Lens Standard



Closed Cell Neoprene
Gasket Standard