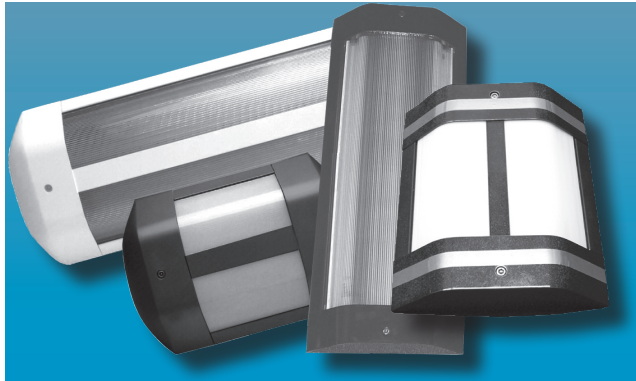


LPL SERIES

LOW PROFILE SCNCE

INSTITUTIONAL/BEHAVIORAL



Specifier's Reference	
Project Name	Type
Catalog No.	
Comments	

- Listings/Certifications: Wet location, ETL (US/Canada) listing

Specifications

- **Housing:** Extruded aluminum backplate with die cast aluminum end caps.
- **Lens:** .156" Positive interlocking, lighting grade, UV stabilized, extruded high impact polycarbonate lens with integral linear prisms. Specify clear or white opal.
- **Certifications:** ETL, listed wet location. All photometric data certified by an independent testing facility. Meets Americans with Disabilities Act (ADA) requirements for wall mount applications. 175 psi direct spraydown. NSF listed.
- **Lamps:** 2-lamp configuration. Lamps supplied by others. See below for lamping options.
- **Ballasts:** Standard Class P, sound rated A electronic ballasts. Other ballast options available.
- **Mounting:** Wall or ceiling mounted.
- **Finish:** Multi-stage pretreatment process, standard finishes are baked white, black, grey or bronze polyester powder coating. Gloss 83%, reflectance 90%, salt spray 1,000 hrs. Custom colors available; consult factory. Optional Agion™ antimicrobial finish available.

Ordering Information

Example: **LPL2226 - C - EB - RND - F1 - TS - UNV**

Series	Lens	Ballast Type	End Caps	Fasteners	Options	Voltage
LPL - <input type="text"/>	- <input type="text"/>	- <input type="text"/>	- <input type="text"/>	- <input type="text"/>	- <input type="text"/>	- <input type="text"/>
-2226 Nominal 12" Unit with 2-26W Quad PL	-C Clear Linear Prismatic	-EB Electronic Bal- last Standard	-RND Round Cast End Caps	-F1 Allen Head, Center Pin Reject, standard	-EMG2 2-Lamp Emergency Power Pak	-UNV -347V
-2240 Nominal 24" Unit with 2-40W Biax	-W White Opal Linear Prismatic Polycar- bonate	-SB Specified Ballast	-SQR Square Cast End Caps	-SF Specified fasteners	1100 Lumen initial output, 90 minute, 32° start temp. (40W Biax only) -TS Trim Strip -GLR GLR Fusing -CC Custom Color (pro- vide color chip or RAL number & color) -AG Agion Antimicrobial Protection on Painted Surfaces	

Note: Contact Factory For Additional Configurations.

Morlite
TOUGH SITES TOUGH LITES



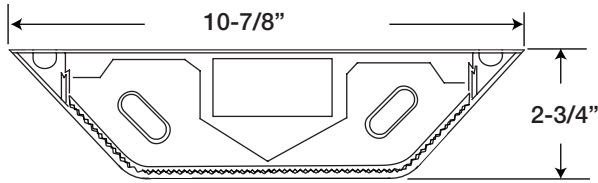
Some luminaires use fluorescent or high intensity discharge (HID) lamps that contain small amounts of mercury. Such lamps are labeled "Contains Mercury" and/or the symbol "Hg." Lamps that contain mercury must be disposed of in accordance with local requirements. Information regarding lamp recycling and disposal can be found at

1805 Pittsburgh Ave, Erie, PA 16502 • 800-865-5954 • Fax 800-667-9959

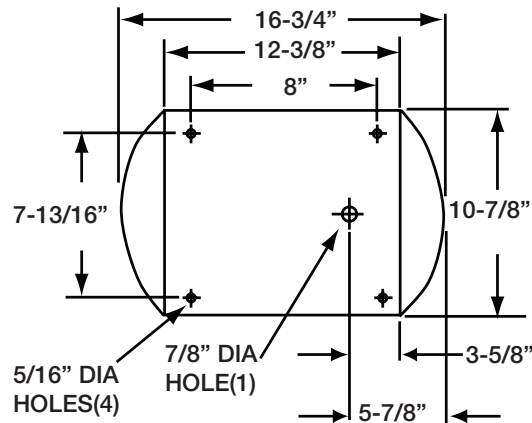
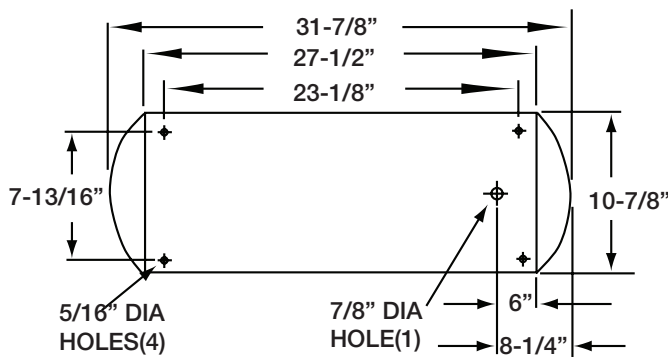
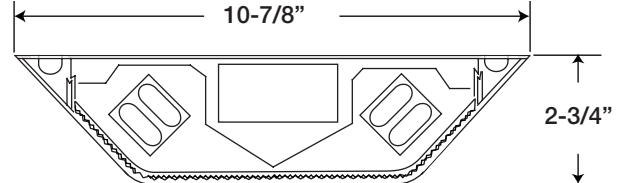


Dimensions & Mounting

24" SCONCE
2-40W BIAX



12" SCONCE
2-26W PLQ



Photometry

Zonal Cavity Coefficient of Utilization

I.T.L. Test No. ITL48368
Product Catalog Number: LPL2240-C-EB-RND-F1-TS-UNV
Lamps: Two F40W Biax Twin Tube, rated 3150 lumens

Floor	20%										
	80%					70%					
Ceilings	50%										
Walls(%)	70	50	30	10	70	50	30	10	50	30	10
0	64	64	64	64	59	59	59	59	38	35	32
1	54	50	46	43	49	46	42	39	38	35	32
2	48	41	36	32	43	38	33	29	31	27	24
3	43	35	29	25	39	32	27	22	26	22	18
4	38	30	24	20	35	27	22	18	22	18	14
5	35	26	20	16	31	24	19	15	19	15	12
6	32	23	18	13	29	21	16	12	17	13	10
7	29	21	15	11	26	19	14	10	15	11	08
8	27	19	13	10	24	17	12	09	14	10	07
9	25	17	12	08	23	15	11	06	12	09	06
10	23	15	11	07	21	14	10	07	11	08	05

