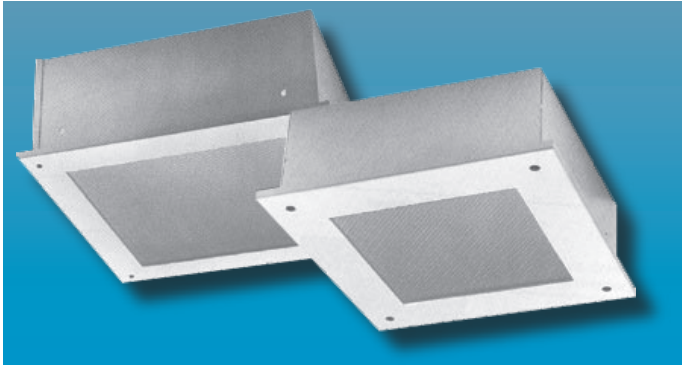


MAX-FH SQUARE SERIES
 MAXIMUM SECURITY RECESSED FLANGE TROFFER

MAXIMUM SECURITY



Specifier's Reference	
Project Name	Type
Catalog No.	
Comments	

- **Listings/Certifications:** ETL (US/Canada) listing

Specifications

- **Housing:** 14 gauge, one-piece die-formed welded housing. Optional stainless steel housing available.
- **Door:** 14 gauge one-piece die-formed cold rolled steel. Available in brushed stainless steel as option.
- **Lens:** Standard .125" thick clear prismatic acrylic with clear polycarbonate overlay. Optional lensing shown below.
- **Lens Retention:** Vertically adjustable "Z" shaped retaining angles secured with through studs and die-cast locknuts.
- **Hinge:** 14 gauge 1/4" diameter knuckle, continuous piano hinge with welded pin ends. Hinge welded to housing and door.
- **Fasteners:** Fully recessed, captive, center pin reject Allen head standard.
- **Lamps:** See below for lamping options. Lamps supplied by others.
- **Ballasts:** Standard Class P, sound rated A electronic ballasts. Other ballast options available.
- **Finish:** Standard baked white polyester powder coat paint finish. Optional AgION™ antimicrobial finish available.
- **Mounting:** 14 gauge galvanized steel "U" channel mount accommodates various ceiling types and thicknesses. Additional mounting options shown below. Support above plenum by others. Optional plaster frame also available.

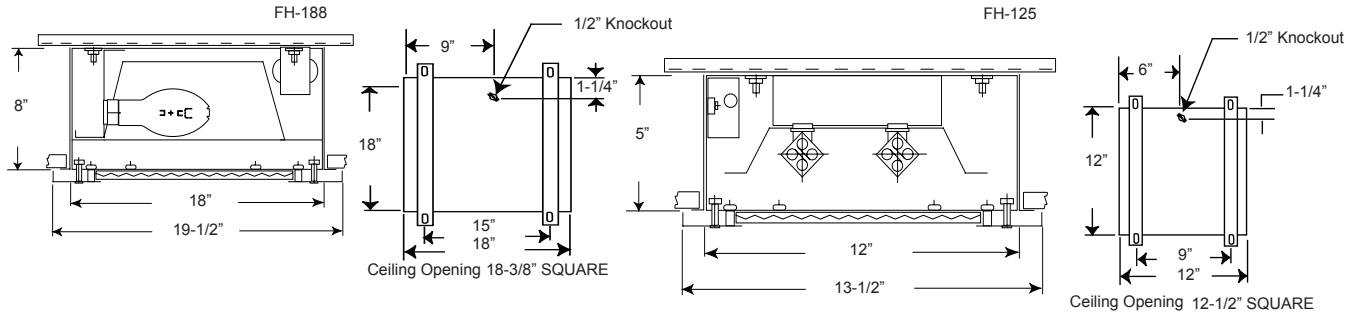
Ordering Information

Example: **MAX - FH - 125 - 2PL13 - 8/A - SS - UNV**

Series	Size	Lamp Type	Lens Type	Fasteners	Options	Voltage
MAX-FH						
	-125 12" Square Unit	FH125 -150 One 150W A21 Incandescent -2PL9 Two PL9 -2PL13 Two PL13 -2PL26 Two 26W Quad -1PLT32 One 32W Triple -1PLT42 One 42W Triple FH188 (Combine Wattage & type up to 250W, i.e. 175MH) -**MH -**MV -**HPS	ENVIRONMENT SIDE -4 .375" Clear Polycarbonate (standard) -8 .375" Clear Tempered Glass LAMP SIDE -A .125 Prismatic Polycarbonate -C .140 DR Prismatic Acrylic -G .156 Prismatic Tempered Glass -UV .007 UV Absorbing Overlay	-F1 Allen Head - center pin reject, standard -SF Specified Fastener	-SS Stainless Steel Housing, Brushed Stainless Steel Door -AG AgION™ Antimicrobial Protection in Powder Coat Paint -GLR GLR/HLR Fuse & Holder set -PF Plaster Frame -EB Electronic Ballast (FH125 only - requires quad lamp) -AUX Auxillary Quartz Restrike hot or cold start (FH188 only) -WL Wet Location	-120V -277V -347V

Note: Contact Factory For Additional Configurations.

Dimensions & Mounting

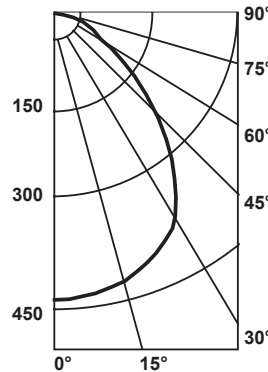


Photometry

Zonal Cavity Coefficient of Utilization
 I.T.L. Test No. ITL 37553, Product Catalog Number:
 MAX-FH125-F-2PL13-4/A-F1-SS-120V
 Lamps: Two 13W PL Twin Tube, each rated 900

Floor Ceilings Walls(%)	80%				20% 70%				50%			
	70	50	30	10	70	50	30	10	50	30	10	
0	60	60	60	60	59	59	59	59	56	56	56	
1	57	55	53	52	55	54	52	51	52	50	49	
2	53	50	47	45	52	49	46	44	47	45	43	
3	49	45	42	39	48	44	41	39	43	40	38	
4	46	41	38	35	45	41	37	35	39	37	34	
5	43	38	34	31	42	37	34	31	36	33	31	
6	40	34	30	28	39	34	30	28	33	30	27	
7	37	31	27	25	36	31	27	24	30	27	24	
8	34	28	25	22	34	28	25	22	27	24	22	
9	32	26	22	20	31	26	22	20	25	22	20	
10	30	24	20	18	29	24	20	18	23	20	18	

**Candlepower
Distribution**



**Average Luminance
in Footlamberts**

Vertical Angles	Average Brightness	
	Norm	Para
45°	1811	1517
55°	1173	1078
65°	831	844
75°	619	657
85°	256	323

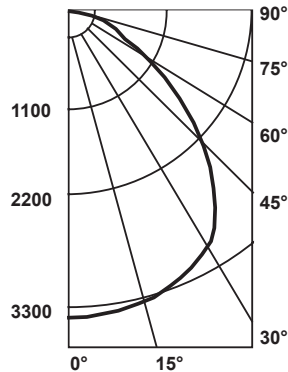
Lumin. Effi.	Spacing Cross	Maint. Factor
50.7%	1.3	85%

**Average Luminance
in Footlamberts**

Vertical Angles	Average Brightness	
	Norm	Para
45°	5323	4066
55°	3133	2833
65°	2152	1745
75°	1359	1331
85°	556	612

Lumin. Effi.	Spacing Cross	Maint. Factor
58.7%	1.4	85%

**Candlepower
Distribution**



Zonal Cavity Coefficient of Utilization

I.T.L. Test No. ITL 37560, Product Catalog Number:
 MAX-FH-188-175MH-8/G
 Lamps: Clear 175W metal halide, horizontal, rated 12000

Floor Ceilings Walls(%)	80%				20% 70%				50%			
	70	50	30	10	70	50	30	10	50	30	10	
0	70	70	70	70	68	68	68	68	65	65	65	
1	66	63	62	60	64	62	60	57	60	58	57	
2	61	58	55	52	60	57	54	52	55	52	50	
3	57	52	49	46	56	51	48	45	50	47	45	
4	53	48	44	41	52	47	43	40	46	42	40	
5	50	43	39	36	49	43	39	36	42	38	35	
6	46	40	35	32	45	39	35	32	38	34	32	
7	43	36	31	28	42	35	31	28	35	31	28	
8	40	33	28	25	39	32	28	25	32	28	25	
9	37	30	26	23	36	30	25	23	29	25	22	
10	34	27	23	20	34	27	23	20	27	23	20	

Options

Antimicrobial: Agion™ Antimicrobial protection using silver technology inhibits bacterial colonization on metal interior and exterior surfaces. Agion™ antimicrobial FDA recognized and EPA registered, meeting all applicable EPA standards.



.125 Prismatic Acrylic
Lens Standard