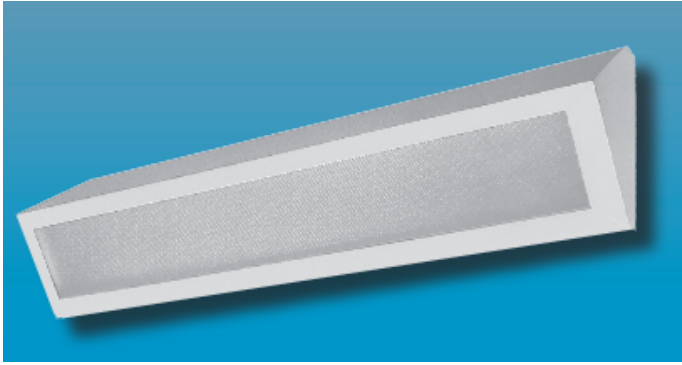


MAX-WSTHH SERIES
 MAXIMUM SECURITY WALL MOUNTED



MAXIMUM SECURITY

Specifier's Reference	
Project Name	Type
Catalog No.	
Comments	

- **Listings/Certifications:** ETL (US/Canada), damp location listed.

Specifications

- **Housing:** 14 gauge, one-piece die-formed cold rolled steel, clamshell design with continuous welded seams. Optional stainless steel housing available.
- **Hinge:** Concealed, formed stainless steel piano hinge with welded pin ends. Hinge welded to one-piece housing and bolted to back plate.
- **Lens:** Standard .125" thick clear prismatic acrylic with clear polycarbonate overlay. Optional lensing shown below.
- **Lens Retention:** Vertically adjustable "Z" shaped retaining angles secured with through studs and die-cast locknuts.
- **Backplate:** One-piece, die-formed prime cold rolled steel, formed to provide an irretrievable contraband trap.
- **Fasteners:** Fully recessed, captive, center pin reject Allen head standard.
- **Lamps:** See below for lamping options. Lamps supplied by others.
- **Ballasts:** Standard Class P, sound rated A electronic ballasts. Other ballast options available.
- **Finish:** Standard baked white polyester powder coat paint finish. Optional AgION™ antimicrobial finish available.
- **Installation:** Embossed mounting holes in back plate to provide direct contact with mounting surface.

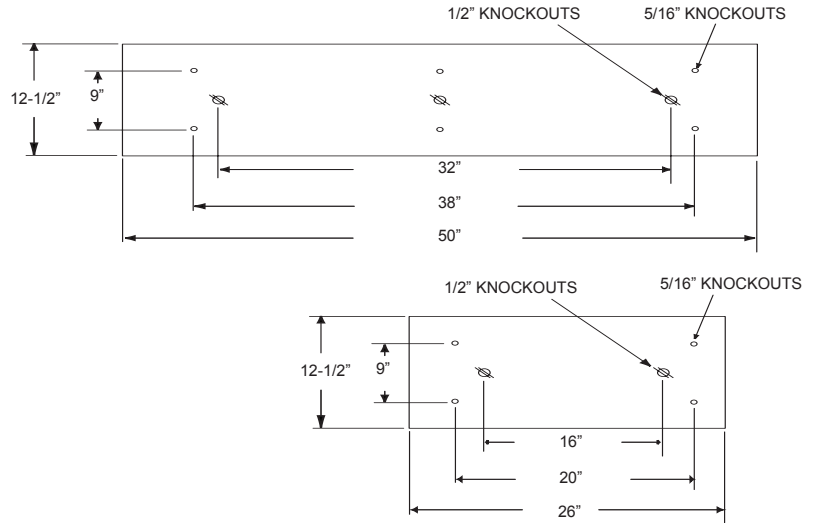
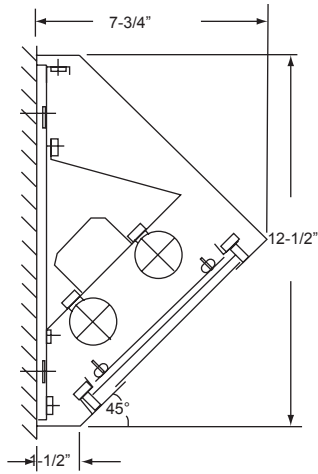
Ordering Information

Example: **MAX - WSTHH - 4 - 3 - T5 - EB10IS - 8/A - SS - UNV**

Series	Size	No. Lamps	Lamp Type	Ballast Type	Lens Type	Fasteners	Options	Voltage
MAX-WSTHH	- [] -	[] -	[] -	[] -	[] -	[] -	[] -	[] -
	-2 Nominal 2' Unit	-3 Three Lamps (4' only)	-BX 40W Biax (2' Unit Only)	-EB10IS Electronic Ballast <10% THD Instant Start	ENVIRONMENT -4 .375 Clear Polycarbonate (standard)	-F1 Allen Head - center pin reject, standard	-EMG1 1-Lamp Emergency Power Pak 500 Lumen initial output, 90 minute, 32° start temp.	-UNV -347V
	-4 Nominal 4' Unit	-2 Two Lamps	-T8 4' 32W	-SB Specified Ballast	-8 .375" Clear Tempered Glass	-SF Specified Fastener	-EMG2 2-Lamp Emergency Power Pak 1100 Lumen initial output, 90 minute, 32° start temp.	
		-1 One Lamp	-T5 4' 28W 2' 14W		LAMP SIDE -A .125 Prismatic Polycarbonate		-SS Stainless Steel Housing, Brushed Stainless Steel Door	
			-T5HO 4' 54W 2' 24W		-C .140 DR Prismatic Acrylic		-AG AgION™ Antimicrobial Protection in Powder Coat Paint	
					-G .156 Prismatic Tempered Glass		-PL7 7W PL Nightlight	
					-UV .007 UV Absorb- ing Overlay		-LEDNL LED Nightlight	
							-GLR GLR/HLR Fuse & Holder set	

Note: Contact Factory For Additional Configurations.

Dimensions & Mounting



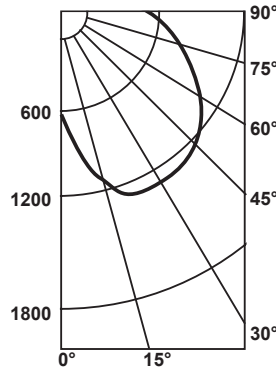
Photometry

Zonal Cavity Coefficient of Utilization

I.T.L. Test No. ITL 37585, Product Catalog Number:
 MAX-WSTHH-4-3-T5-EB10IS-8/A-SS-UNV
 Lamps: Three 28WT5, each rated 3150

Floor Ceilings Walls(%)	80%				20% 70%				50%			
	70	50	30	10	70	50	30	10	50	30	10	10
0	53	53	53	53	51	51	51	51	48	48	48	
1	47	44	42	40	45	43	41	39	40	39	37	
2	42	38	34	31	41	37	33	31	35	32	29	
3	38	33	29	26	37	32	28	25	30	27	24	
4	35	29	25	21	33	28	24	21	26	23	20	
5	32	25	21	18	30	25	20	17	23	20	17	
6	29	22	18	15	28	22	18	15	21	17	14	
7	27	20	16	13	26	20	16	13	19	15	12	
8	24	18	14	11	24	18	14	11	17	13	11	
9	23	16	12	09	22	16	12	09	15	12	09	
10	21	15	11	08	20	14	11	08	14	10	08	

**Candlepower
 Distribution**



**Average Luminance
 in Footlamberts**

Vertical Angles	Average Brightness	
	Norm	Para
45°	2290	758
55°	2279	635
65°	2241	581
75°	2114	474
85°	1810	187

Lumin. Effi.	Spacing Cross	Maint. Factor
44.9%	2.6	85%

Options

Antimicrobial: Agion™ Antimicrobial protection using silver technology inhibits bacterial colonization on metal interior and exterior surfaces. Agion™ antimicrobial FDA recognized and EPA registered, meeting all applicable EPA standards.



.125 Prismatic Acrylic Lens Standard