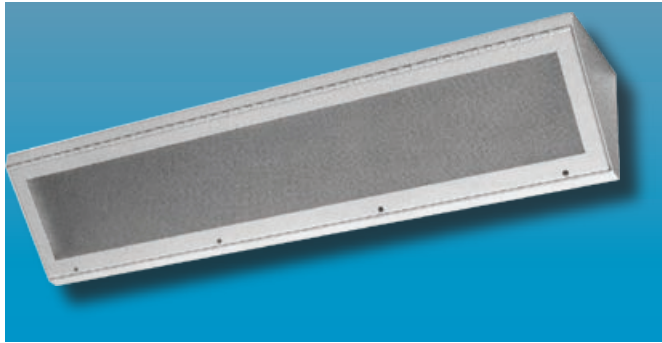


MED-CH89 SERIES

16GA MEDIUM SECURITY CORNER MOUNTED



MEDIUM SECURITY

Specifier's Reference	
Project Name	Type
Catalog No.	
Comments	

- **Listings/Certifications:** ETL (US/Canada).

Specifications

- **Housing:** 16ga cold rolled steel one-piece die-formed welded housing. Optional stainless steel housing available.
- **Door:** One-piece die-formed cold rolled steel in gauge to match housing. Available in brushed stainless steel as option.
- **Lens:** Standard .125" thick clear prismatic acrylic with clear polycarbonate overlay. Optional lensing shown below.
- **Lens Retention:** Vertically adjustable "Z" shaped retaining angles secured with through studs and die-cast locknuts. Gauge to match housing.
- **Fasteners:** Fully recessed, captive, center pin reject Allen head standard. Optional fasteners shown below.
- **Hinge:** 16ga 1/4" diameter knuckle, continuous piano hinge with welded pin ends. Hinge welded to housing and door.
- **Lamps:** See below for lamping options. Lamps supplied by others.
- **Ballasts:** Standard Class P, sound rated A electronic ballasts. Other ballast options available.
- **Finish:** Standard baked white polyester powder coat paint finish. Optional AgION™ antimicrobial finish available.

Ordering Information

Example: **MED - CH89 - 4 - 3 - T5 - EB10IS - 3/G - SS - UNV**

Series	Size	No. Lamps	Lamp Type	Ballast Type	Lens Type	Fasteners	Options	Voltage
MED-CH89	- [] -	[] -	[] -	[] -	[] / [] -	[] -	[] -	[] -
	-4 4' Unit	-3 Three Lamps	-T8 4' 32W	-EB10IS Electronic Ballast	ENVIRONMENT SIDE -3 .250" Clear Polycarbonate (standard)	-F1 Allen Head - center pin reject, standard	-EMG1 1-Lamp Emergency Power Pak 500 Lumen initial output, 90 minute, 32° start temp.	-UNV -347V
	-2 2' Unit	-2 Two Lamps	-T5 4' 28W 2' 14W	Instant Start <10% THD -SB Specified Ballast	-7 .250" Clear Tempered Glass LAMP SIDE -A .125 Prismatic Polycarbonate -C .140 DR Prismatic Acrylic -G .156 Prismatic Tempered Glass -UV .007 UV Absorbing Overlay	-SF Specified Fastener	-EMG2 2-Lamp Emergency Power Pak 1100 Lumen initial output, 90 minute, 32° start temp. -SS Stainless Steel Housing, Brushed Stainless Steel Door -AG AgION™ Antimicrobial Protection in Powder Coat -PL7 7W PL Nightlight -GLR GLR/HLR Fuse & Holder set	
		-1 One Lamp	-T5HO 4' 54W 2' 24W				-WL Wet Location -LLE Lamp Life Extender	

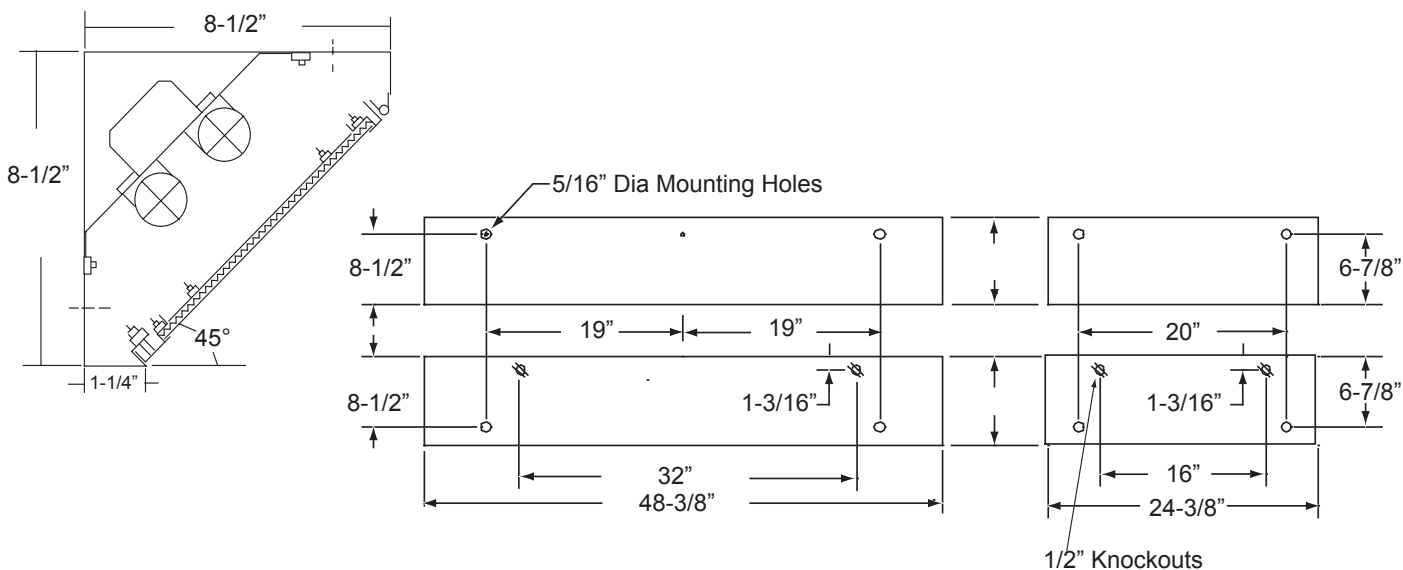
Note: Contact Factory For Additional Configurations.

Morlite
TOUGH SITES TOUGH LITES

1805 Pittsburgh Ave, Erie, PA 16502 • 800-865-5954 • Fax 800-667-9959



Dimensions & Mounting

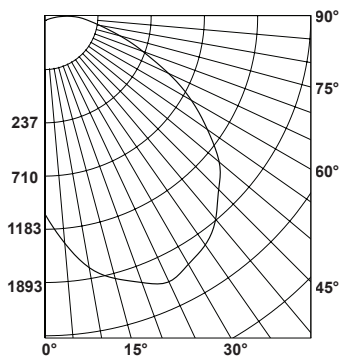


Photometry

Zonal Cavity Coefficient of Utilization
Photopia Test No. 2.0.0.17,
Product Catalog Number: MED-CH89-4-2
Lamps: Two 32WT8, rated 2900 lumens.

Floor	80%				20%			
	70	50	30	10	70	50	30	10
0	82	82	82	82	79	79	79	79
1	72	68	64	61	70	66	62	59
2	65	58	52	47	62	56	51	46
3	58	50	43	38	56	48	42	37
4	53	44	37	31	51	42	36	31
5	48	39	32	27	46	37	31	26
6	44	34	28	23	43	33	27	22
7	41	31	24	20	39	30	24	20
8	38	28	22	17	37	27	21	17
9	35	26	20	15	34	25	19	15
10	33	23	18	14	32	23	17	13

Candlepower Distribution



Average Luminance in Footlambers

Average Brightness Vertical Norm Para Angles

45°	4607	1566
55°	4231	1216
65°	3511	1008
75°	2710	724
85°	1883	318

Lumin. Eff.	Spacing Cross	Maint. Factor
70.0%	2.63	85%

Options

Antimicrobial: Agion™ Antimicrobial protection using silver technology inhibits bacterial colonization on metal interior and exterior surfaces. Agion™ antimicrobial FDA recognized and EPA registered, meeting all applicable EPA standards.



.125 Prismatic Acrylic Lens Standard