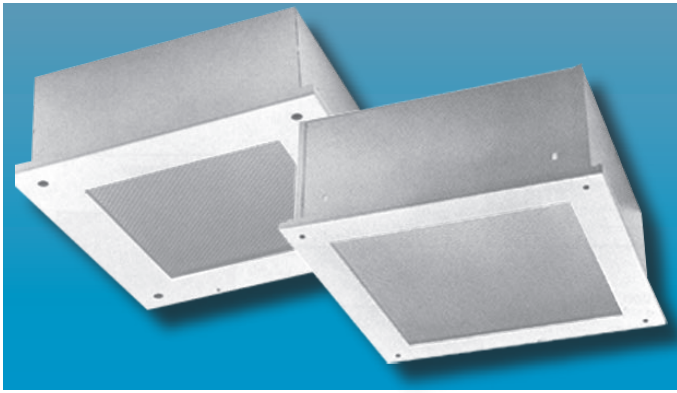


MED-FDPH SQUARE SERIES
 RECESSED FLANGE WITH DROP HINGE DOOR



MEDIUM SECURITY

Specifier's Reference	
Project Name	Type
Catalog No.	
Comments	

- **Listings/Certifications:** ETL(US/Canada).

Specifications

- **Housing:** 16 gauge, one-piece die-formed welded housing. Optional stainless steel housing available.
- **Door:** 16 gauge one-piece die-formed cold rolled steel Available in brushed stainless steel as option.
- **Lens:** Standard .125" thick clear prismatic acrylic with clear polycarbonate overlay. Optional lensing shown below.
- **Lens Retention:** Vertically adjustable "Z" shaped retaining angles secured with through studs and die-cast locknuts.
- **Hinge:** 14 gauge 1/4" diameter knuckle, continuous piano hinge with welded pin ends. Hinge welded to housing and door.
- **Fasteners:** Fully recessed, captive, center pin reject Allen head standard.
- **Lamps:** See below for lamping options. Lamps supplied by others.
- **Ballasts:** Standard Class P, sound rated A electronic ballasts. Other ballast options available.
- **Finish:** Standard baked white polyester powder coat paint finish. Optional AgION™ antimicrobial finish available.
- **Mounting:** 14 gauge galvanized steel "U" channel mount accomodates various ceiling types and thicknesses. Additional mounting options shown below. Support above plenum by others. Optional plaster frame also available.

Ordering Information

Example: **MED - FDPH - 125 - 2PL13 - 7/A - SS - UNV**

Series	Size	Lamp Type	Type	Lens Fasteners	Options	Voltage
MED-FDPH	- [] -	[] -	[] -	[] -	[] -	[]
	-125 12" Square Unit	FH125 (Not Available in HID) -150 One 150W A21 Incandescent	ENVIRONMENT SIDE -3 .250" Clear Polycarbonate (standard)	-F1 Allen Head - center pin reject, standard	-SS Stainless Steel Housing, Brushed Stainless Steel Door	-120V
	-188 18" Square Unit	-2PL9 Two PL9 Quad -2PL13 Two PL13 Quad -2PL26 Two 26W Quad -1PLT32 One 32W Triple -1PLT42 One 42W Triple	-7 .250" Clear Tempered Glass LAMP SIDE -A .125 Prismatic Polycarbonate -C .140 DR Prismatic Acrylic -G .156 Prismatic Tempered Glass	-SF Specified Fastener	-AG AgION™ Antimicrobial Protection in Powder Coat Paint -GLR GLR/HLR Fuse & Holder set -PF Plaster Frame -AUX Auxillary Quartz Restrike hot or cold start (FH188 only) -WL Wet Location	-277V -347V
		FH188 (Combine Wattage & type up to 250W, i.e. 175MH NOTE: Requires Glass Lenses) -**MH -**MV -**HPS				

Note: Contact Factory For Additional Configurations.



1805 Pittsburgh Ave, Erie, PA 16502 • 800-865-5954 • Fax 800-667-9959



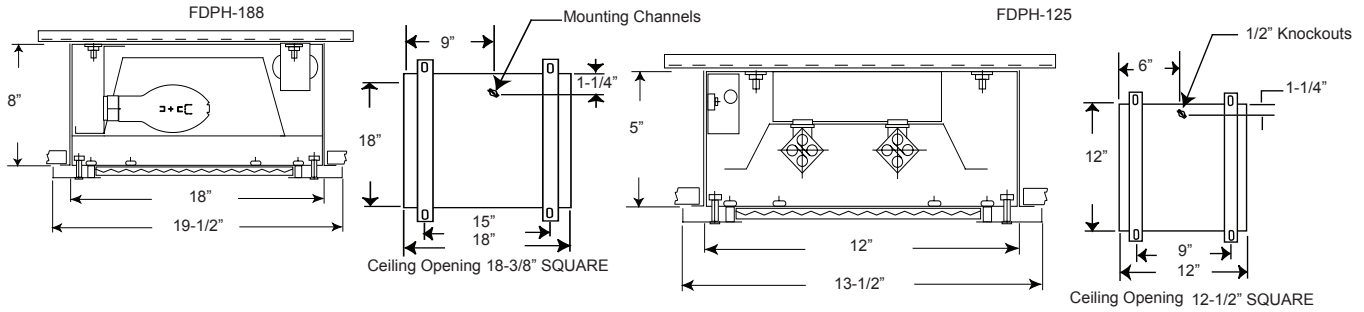
MED-FDPH SQUARE SERIES

MEDIUM SECURITY RECESSED FLANGE
WITH DROP HINGE DOOR

Morlite

TOUGH SITES TOUGH LITES

Dimensions & Mounting



Photometry

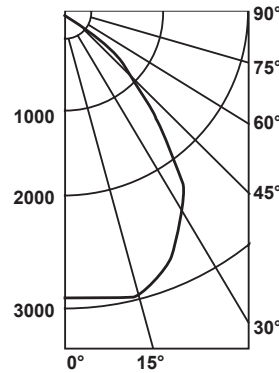
Zonal Cavity Coefficient of Utilization

I.T.L. Test No. ITL 37562, Product Catalog Number:
MED-FDPH-188-175MH-8/A-SS-F1-UNV

Lamps: Clear 175W metal halide, horizontal, rated 12,000 lumens

Floor Ceilings Walls(%)	80%				20% 70%				50%			
	70	50	30	10	70	50	30	10	70	50	30	10
0	65	65	65	65	63	63	63	63	61	61	61	61
1	61	59	57	56	60	58	56	55	56	54	53	53
2	57	54	51	49	56	53	50	48	51	49	47	47
3	53	49	56	43	52	48	45	43	47	44	42	42
4	50	45	41	38	49	44	41	38	43	40	38	38
5	47	41	37	34	45	40	37	34	39	36	34	34
6	43	37	33	30	42	37	33	30	36	33	30	30
7	40	34	30	27	39	34	30	27	33	29	27	27
8	38	31	27	24	37	31	27	24	30	27	24	24
9	35	28	24	22	34	28	24	22	28	24	22	22
10	33	26	22	20	32	26	22	20	25	22	19	19

Candlepower Distribution



Average Luminance in Footlamberts

Vertical Angles	Average Brightness	
	Norm	Para
45°	4810	3838
55°	2798	2651
65°	1895	1557
75°	1213	1242
85°	497	585

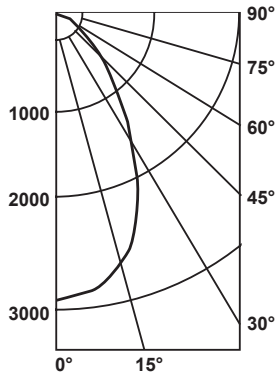
Lumin. Effi.	Spacing Cross	Maint. Factor
54.5%	1.3	85%

Zonal Cavity Coefficient of Utilization

I.T.L. Test No. ITL 37557, Product Catalog Number:
MED-FDPH-125-2PL13-8/A-SS-F1-UNV

Lamps: Two 13W PL, each rated 900 lumens

Candlepower Distribution



Average Luminance in Footlamberts

Vertical Angles	Average Brightness	
	Norm	Para
45°	1788	1545
55°	1246	1090
65°	854	839
75°	637	660
85°	339	347

Lumin. Effi.	Spacing Cross	Maint. Factor
46.9%	1.2	85%

Floor Ceilings Walls(%)	80%				20% 70%				50%			
	70	50	30	10	70	50	30	10	70	50	30	10
0	56	56	56	56	55	55	55	55	52	52	52	52
1	52	51	49	48	51	50	48	47	48	47	45	45
2	49	46	44	42	48	45	43	41	44	42	40	40
3	46	42	39	36	45	41	38	36	40	37	36	36
4	43	38	35	32	42	38	35	32	36	34	32	32
5	40	35	31	29	39	34	31	29	33	31	28	28
6	37	32	28	26	36	31	28	26	31	28	25	25
7	34	29	25	23	34	29	25	23	28	25	23	23
8	32	27	23	21	31	26	23	21	26	23	20	20
9	30	24	21	18	29	24	21	18	23	20	18	18
10	28	22	19	17	27	22	19	17	22	19	17	17

Options

Antimicrobial: Agion™ Antimicrobial protection using silver technology inhibits bacterial colonization on metal interior and exterior surfaces. Agion™ antimicrobial FDA recognized and EPA registered, meeting all applicable EPA standards.



.125 Prismatic Acrylic Lens Standard

Morlite

a Genlyte company