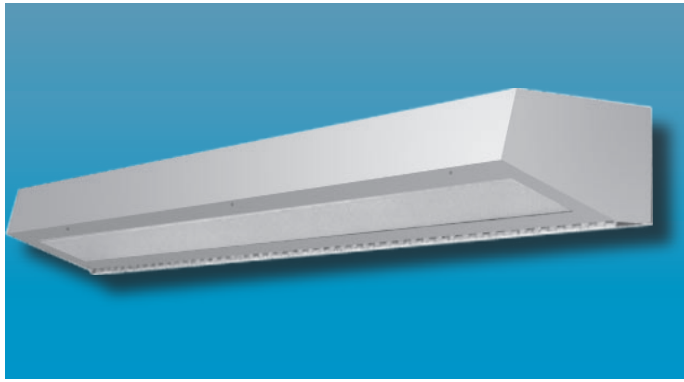


MED-R15 SERIES

MEDIUM SECURITY WALL MOUNTED



MEDIUM SECURITY

Specifier's Reference

Project Name	Type
Catalog No.	
Comments	

- **Listings/Certifications:** ETL (US/Canada), damp location listed.

Specifications

- **Housing:** 16 gauge, die-formed welded housing. All exposed seams continuous welded. Optional stainless steel housing available.
- **Door:** One-piece die-formed cold rolled steel. Available in brushed stainless steel as option.
- **Lens:** Standard .125" thick clear prismatic acrylic with clear polycarbonate overlay. Optional lensing shown below.
- **Lens Retention:** Vertically adjustable "Z" shaped retaining angles secured with through studs and die-cast locknuts.
- **Hinge:** 16 gauge 1/4" diameter knuckle, continuous piano hinge with welded pin ends. Hinge welded to housing and door.
- **Fasteners:** Captive center pin reject Allen head standard.
- **Lamps:** See below for lamping options. Lamps supplied by others.
- **Ballasts:** Standard Class P, sound rated A electronic ballasts. Other ballast options available.
- **Finish:** Standard baked white polyester powder coat paint finish. Optional AgION™ antimicrobial finish available.

Ordering Information

Example: **MED - R15 - 4 - 3 - T5 - EB10IS - 7/A - SS - UNV**

Series	Length	Number Lamps	Lamp Type	Ballast Type	Lens Type	Fasteners	Options	Voltage
MED-R15	- [] -	[] -	[] -	[] -	[] -	[] -	[] -	[] -
	-2 Nominal 2' Unit	-2 Two Lamps	-BX 40W Biax (2' Unit Only)	-EB10IS Electronic Ballast <10% THD Instant Start	ENVIRONMENT -3 .250" Clear Poly- carbonate (stan- dard)	-F1 Allen Head - center pin reject, standard	-SS Stainless Steel Hous- ing, Brushed Stain- less Steel Door	-UNV -347V
	-4 Nominal 4' Unit	-1 One Lamp	-T8 4' 32W 2' 17W	-SB Specified Ballast	-7 .250" Clear Tempered Glass	-SF Specified Fastener	-AG AgION™ Antimicro- bial Protection in Powder Coat Paint	
			-T5 4' 28W 2' 14W		LAMP SIDE -A .125 Prismatic Polycarbonate		-GLR GLR/HLR Fuse & Holder set	
			-T5HO 4' 54W 2' 24W		-C .140 DR Prismatic Acrylic		-WL Wet Location	
					-G .156 Prismatic Tempered Glass		-DL Damp Location	
					-UV .007 UV Absorbing Overlay			

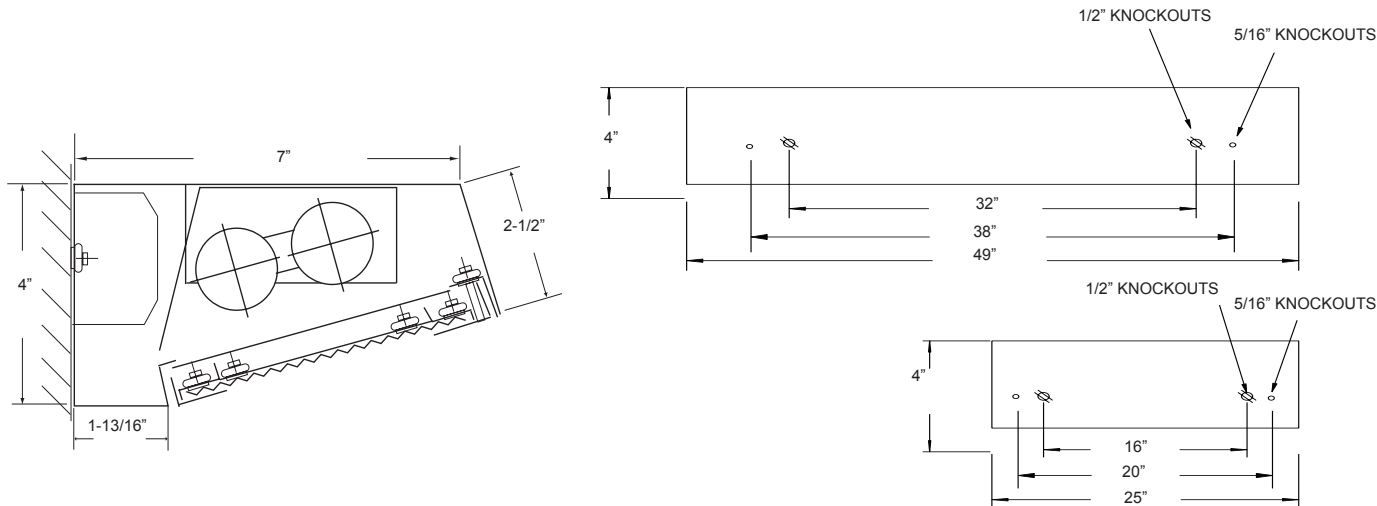
Note: Contact Factory For Additional Configurations.

Morlite
TOUGH SITES TOUGH LITES

1805 Pittsburgh Ave, Erie, PA 16502 • 800-865-5954 • Fax 800-667-9959



Dimensions & Mounting



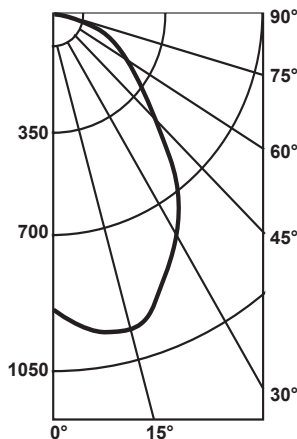
Photometry

Zonal Cavity Coefficient of Utilization

I.T.L. Test No. ITL 37587, Product Catalog Number:
MED-R15-4-2-T8-EB10IS-7/A-SS-UNV
Lamps: Two 32WT8, each rated 3150

Floor Ceilings Walls(%)	80%				20% 70%				50%			
	70	50	30	10	70	50	30	10	50	30	10	
0	38	38	38	38	37	37	37	37	35	35	35	
1	35	34	33	32	34	33	32	31	32	31	30	
2	32	30	28	27	32	30	28	27	29	27	26	
3	30	27	25	23	29	27	25	23	26	24	23	
4	28	24	22	20	27	24	22	20	23	21	20	
5	26	22	19	17	25	22	19	17	21	19	17	
6	24	20	17	15	23	20	17	15	19	17	15	
7	22	18	15	14	21	18	15	13	17	15	13	
8	20	16	14	12	20	16	14	12	16	13	12	
9	19	15	12	10	18	14	12	10	14	12	10	
10	17	13	11	09	17	13	11	09	13	11	09	

**Candlepower
Distribution**



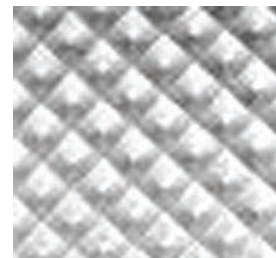
**Average Luminance
in Footlamberts**

Vertical Angles	Average Brightness	
	Norm	Para
45°	2611	2036
55°	2127	1414
65°	1525	960
75°	1021	753
85°	838	400

Lumin. Effi.	Spacing Cross	Maint. Factor
31.7%	1.5	85%

Options

Antimicrobial: Agion™ Antimicrobial protection using silver technology inhibits bacterial colonization on metal interior and exterior surfaces. Agion™ antimicrobial FDA recognized and EPA registered, meeting all applicable EPA standards.



.125 Prismatic Acrylic
Lens Standard