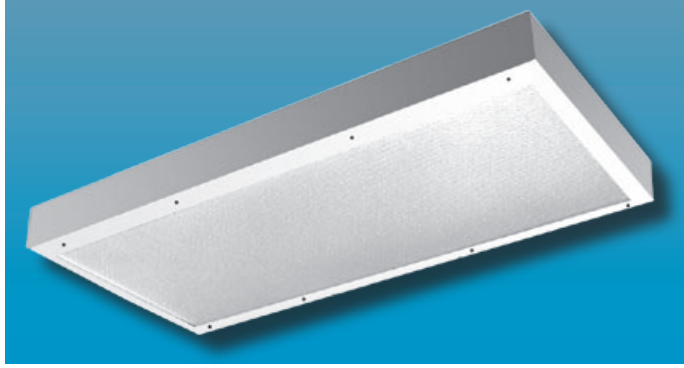


MED-SDPH SERIES

16GA MEDIUM SECURITY SURFACE
WITH DROP HINGE HOUSING



MEDIUM SECURITY

Specifier's Reference

| | |
|--------------|------|
| Project Name | Type |
| Catalog No. | |
| Comments | |

- **Listings/Certifications:** ETL (US/Canada) listing

Specifications

- **Housing:** One piece 16-gauge steel clamshell housing. All exposed seams continuous welded.
- **Door:** 16-gauge cold rolled steel drop hinged door with mitered corners and closed cell gasket.
- **Lens:** .250" thick clear polycarbonate standard. Optional lensing shown below.
- **Gasket:** 4lb density polyester foam standard.
- **Lamps:** See below for lamping options. Lamps supplied by others.
- **Lens Retention:** Vertically adjustable "Z" shaped retaining angles secured by through studs and die cast locknuts.
- **Ballasts:** Standard universal voltage 120V through 277V electronic 90% power factor <10% THD. Other ballast options available.
- **Finish:** Standard baked white polyester powder coat paint finish. Optional AgION™ antimicrobial finish available.
- **Mounting:** Embossed mounting holes in backplate to provide direct contact with mounting surface. See mounting details.

Ordering Information

Example: **MED - SDPH - 24 - F - 4 - T5 - EB10IS - 7/A - SSD - F1 - UNV**

| Series | Length | No. Lamps | Lamp Type | Ballast Type | Lens Type | Fasteners | Options | Voltage |
|-----------------|-----------------------------|---|---|--|--|--|--|--|
| MED-SDPH | - [] - | - [] - | - [] - | - [] - | - [] / [] - | - [] - | - [] - | - [] - |
| | -24 2 X 4 Unit | -4 Four Lamps (2X4 or 2X2 only) | -T8 32W (2X4) 17W (2X2) 32W (1X4) | -EB10IS Electronic Ballast <10% THD | ENVIRONMENT -3 .250" Clear Polycarbonate (standard) | -F1 Allen Head - center pin reject, standard | -EMG1 1-Lamp Emergency Power Pak 500 Lumen initial output, 90 minute, 32° start temp. | -UNV (120V- 277V) -347V |
| | -22 2 X 2 Unit | -3 Three Lamps | -T5 28W (2X4) 14W (2X2) 28W (1X4) | Instant Start -SB Specified Ballast | -7 .250" Clear Tem- pered Glass LAMP SIDE | -SF Specified Fastener | -EMG2 2-Lamp Emergency Power Pak 1100 Lumen initial output, 90 minute, 32° start temp. | |
| | -14 1 X 4 Unit | -2 Two Lamps | -T5HO 54W (2X4) 24W (2X2) 54W (1X4) | | -A .125 Prismatic Acrylic -C .140 DR Prismatic Acrylic -G .156 Prismatic Tem- pered Glass -UV .007 UV Absorbing Overlay | | -SSD Stainless Steel Door, CRS Housing -SS Stainless Steel Door & Housing -AG AgION™ Antimicrobial Protection in Powder Coat Paint -GLR GLR/HLR Fuse & Holder set -PL7 7W PL Nightlight | |

Note: Contact Factory For Additional Configurations.

Morlite
TOUGH SITES TOUGH LITES

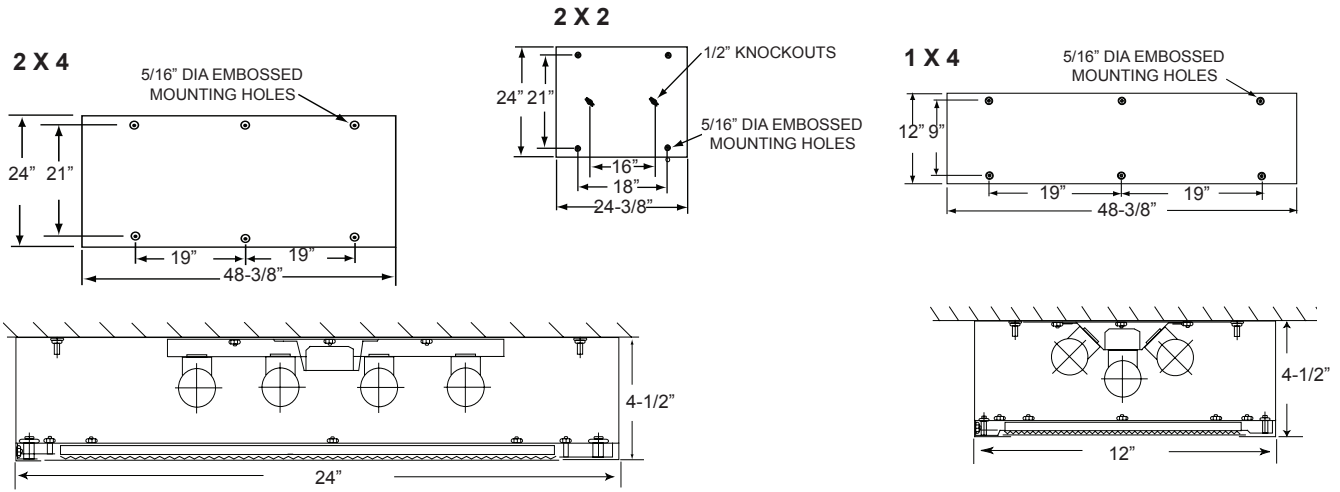
1805 Pittsburgh Ave, Erie, PA 16502 • 800-865-5954 • Fax 800-667-9959



MED-SDPH SERIES
 16GA MEDIUM SECURITY SURFACE
 WITH DROP HINGE HOUSING



Dimensions & Mounting

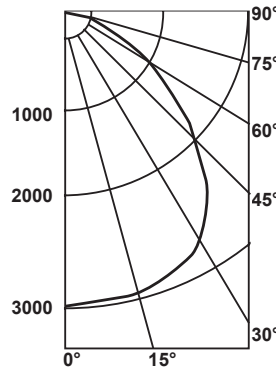


Photometry

Zonal Cavity Coefficient of Utilization
 I.T.L. Test No. ITL 37573, Product Catalog Number:
 MED-SDPH-24-F-4-T8-EB10IS-3/A-SSD-F1-UNV
 Lamps: Four 32WT8, each rated 3150

| Floor Ceilings Walls(%) | 80% | | | | 20% | | | | 50% | | | |
|-------------------------------|-----|----|----|----|-----|----|----|----|-----|----|----|----|
| | 70 | 50 | 30 | 10 | 70 | 50 | 30 | 10 | 70 | 50 | 30 | 10 |
| 0 | 69 | 69 | 69 | 69 | 68 | 68 | 68 | 68 | 65 | 65 | 65 | 65 |
| 1 | 65 | 62 | 60 | 58 | 63 | 61 | 59 | 58 | 59 | 57 | 56 | 56 |
| 2 | 60 | 58 | 53 | 50 | 58 | 55 | 52 | 49 | 53 | 50 | 48 | 48 |
| 3 | 55 | 50 | 46 | 43 | 54 | 49 | 46 | 43 | 48 | 44 | 42 | 42 |
| 4 | 51 | 45 | 41 | 37 | 50 | 44 | 40 | 37 | 43 | 39 | 38 | 38 |
| 5 | 47 | 40 | 36 | 32 | 46 | 40 | 37 | 43 | 39 | 36 | 32 | 32 |
| 6 | 44 | 35 | 32 | 28 | 42 | 38 | 31 | 28 | 35 | 31 | 28 | 28 |
| 7 | 40 | 33 | 29 | 25 | 39 | 32 | 28 | 25 | 32 | 27 | 24 | 24 |
| 8 | 37 | 29 | 25 | 22 | 36 | 29 | 25 | 21 | 28 | 24 | 21 | 21 |
| 9 | 34 | 28 | 22 | 19 | 33 | 26 | 22 | 19 | 25 | 21 | 19 | 19 |
| 10 | 32 | 24 | 20 | 16 | 31 | 24 | 19 | 15 | 23 | 19 | 16 | 16 |

Candlepower Distribution



Average Luminance in Footlamberts

| Vertical Angles | Average Brightness | |
|-----------------|--------------------|------|
| | Norm | Para |
| 45° | 1184 | 607 |
| 55° | 1376 | 473 |
| 65° | 1511 | 383 |
| 75° | 1354 | 310 |
| 85° | 1199 | 175 |

| Lumin. Effi. | Spacing Cross | Maint. Factor |
|--------------|---------------|---------------|
| 41.5% | 1.4 | 85% |

Options

Antimicrobial: Agion™ Antimicrobial protection using silver technology inhibits bacterial colonization on metal interior and exterior surfaces. Agion™ antimicrobial FDA recognized and EPA registered, meeting all applicable EPA standards.



.125 Prismatic Acrylic Lens Standard