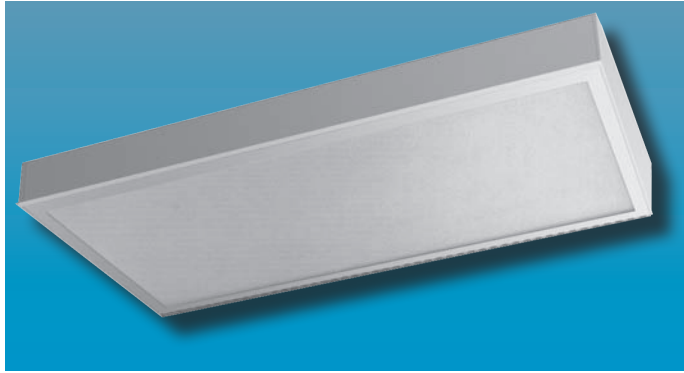


MED-TG SERIES

16 GAUGE RECESSED 1" T-GRID TROFFER



MEDIUM SECURITY

Specifier's Reference	
Project Name	Type
Catalog No.	
Comments	

- **Listings/Certifications:** ETL (US/Canada) listing

Specifications

- **Housing:** One-piece, die-formed 16 gauge cold rolled steel housing with welded flange seams. 18 gauge ends.
- **Door:** One-piece, die-formed cold rolled steel door.
- **Lens:** .125" thick clear prismatic acrylic standard. Optional lensing shown below.
- **Lens Retention:** Vertically adjustable "Z" shaped retaining angles secured by through studs and die cast locknuts.
- **Hinge:** 16 gauge 1/4" diameter knuckle, continuous piano hinge with welded pin ends. Hinge welded to housing and door.
- **Lamps:** See below for lamping options. Lamps supplied by others.
- **Ballasts:** Standard universal voltage 120V through 277V electronic 90% power factor <10% THD. Other ballast options available.
- **Finish:** Multi stage pretreatment process. Standard baked white polyester powder coat paint finish. Gloss 85%, reflectance 90% salt spray 1000 hours. Optional AgION™ antimicrobial finish available.
- **Mounting:** Standard mounting hardware, 14-Ga galvanized steel "U" channel mount, accommodates various ceiling types & thicknesses. Optional plaster frame also available.

Ordering Information

Example: **MED - TG - 24 - 4 - T5 - EB10IS - 7/A - SS - F1 - UNV**

Series	Size	No. Lamps	Lamp Type	Ballast Type	Lens Type	Fasteners	Options	Voltage
MED-TG	-	-	-	-	-	-	-	-
	-24 2 X 4 Unit	-4 Four Lamps	-T8 32W (2X4) 17W (2X2)	-EB Electronic Ballast <10% THD Instant Start	ENVIRONMENT SIDE -3 .250" Clear Polycarbonate (standard)	-F1 Allen Head - center pin reject, standard	-EMG1 1-Lamp Emergency Power Pak 500 Lumen initial output, 90 minute, 32° start temp.	-UNV (120V- 277V) -347V
	-22 2 X 2 Unit	or 2X2 only	-T5 28W (2X4) 14W (2X2)	-SB Specified Ballast	-7 .250" Clear Tempered Glass	-SB Specified Fastener	-EMG2 2-Lamp Emergency Power Pak 1100 Lumen initial output, 90 minute, 32° start temp.	
	-14 1 X 4 Unit	Three Lamps	-T5HO 54W (2X4) 24W (2X2) 54W (1X4)		LAMP SIDE -A .125 Prismatic Polycarbonate -C .140 DR Prismatic Acrylic -G .156 Prismatic Tempered Glass -UV .007 UV Absorb- ing Overlay		-SS Stainless Steel Door & Housing -AG AgION™ Antimicrobial Pro- tection in Powder Coat Paint -GLR GLR/HLR Fuse & Holder set -PL7 7W PL Nightlight	

Note: Contact Factory For Additional Configurations.

Morlite
TOUGH SITES TOUGH LITES

1805 Pittsburgh Ave, Erie, PA 16502 • 800-865-5954 • Fax 800-667-9959



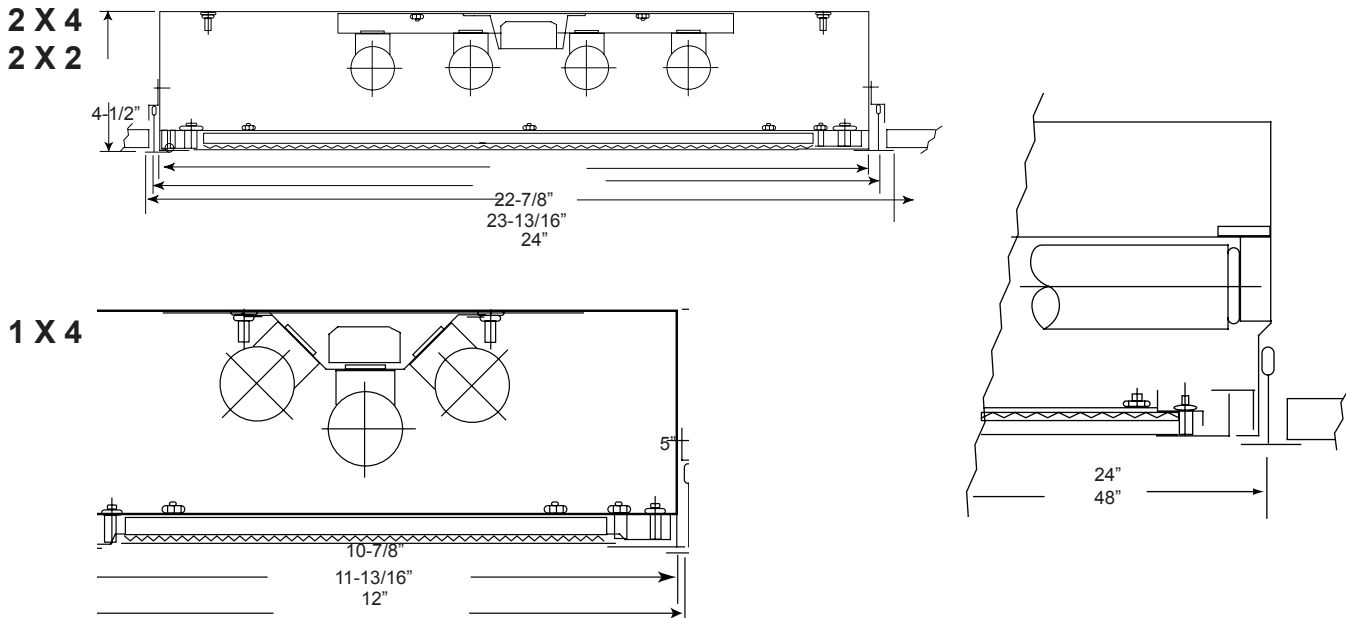
MED-TG SERIES

16 GAUGE RECESSED 1" T-GRID TROFFER

Morlite

TOUGH SITES TOUGH LITES

Dimensions & Mounting



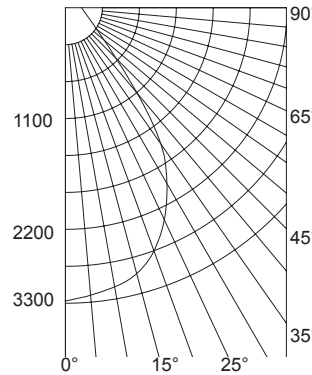
Photometry

Zonal Cavity Coefficient of Utilization

I.T.L. Test No. ITL 43612, Product Catalog Number:
 MED-TG-24-4T8-EB10IS-120V
 Lamps: Four 32WT8, each rated 3150

Floor Ceilings Walls(%)	80%				20% 70%				50%			
	70	50	30	10	70	50	30	10	50	30	10	
0	76	76	76	76	74	74	74	74	71	71	71	
1	71	68	66	64	69	67	64	62	64	62	61	
2	65	60	57	53	63	59	58	53	57	54	51	
3	60	54	49	45	58	53	48	45	51	47	44	
4	55	48	43	39	54	47	43	39	46	42	38	
5	51	43	38	34	50	43	38	34	41	37	34	
6	47	39	34	30	46	39	34	30	38	33	30	
7	44	36	31	27	43	35	30	27	34	30	27	
8	41	33	28	24	40	32	27	24	32	27	24	
9	38	30	25	22	37	30	25	22	29	25	22	
10	36	28	23	20	35	28	23	20	27	23	20	

Candlepower Distribution



Average Luminance in Footlamberts

Vertical Angles	Average Brightness	
	Norm	Para
45°	4560	4796
55°	3466	3442
65°	2447	1969
75°	1762	1635
85°	619	619

Lumin. Effi.	Spacing Cross	Maint. Factor
44.5%	1.4	85%

Options

Antimicrobial: Agion™ Antimicrobial protection using silver technology inhibits bacterial colonization on metal interior and exterior surfaces. Agion™ antimicrobial FDA recognized and EPA registered, meeting all applicable EPA standards.



.125 Prismatic Acrylic Lens Standard

Morlite

a Genlyte company