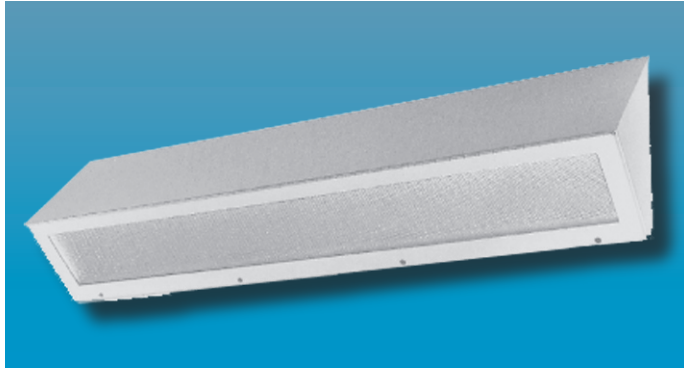


# MAX-WST45 SERIES

MAXIMUM SECURITY WALL MOUNTED



# MAXIMUM SECURITY

## Specifier's Reference

Project Name	Type
Catalog No.	
Comments	

- **Listings/Certifications:** ETL (US/Canada), damp location listed.

## Specifications

- **Housing:** 14 gauge, die-formed welded housing. All exposed seams continuous welded. Optional stainless steel housing available.
- **Door:** 14 gauge one-piece die-formed cold rolled steel Available in brushed stainless steel as option.
- **Lens:** Standard .125" thick clear prismatic acrylic with clear polycarbonate overlay. Optional lensing shown below.
- **Lens Retention:** Vertically adjustable "Z" shaped retaining angles secured with through studs and die-cast locknuts.
- **Hinge:** 16 gauge 1/4" diameter knuckle, continuous piano hinge with welded pin ends. Hinge welded to housing and door.
- **Fasteners:** Fully recessed, captive, center pin reject Allen head standard.
- **Lamps:** See below for lamping options. Lamps supplied by others.
- **Ballasts:** Standard Class P, sound rated A electronic ballasts. Other ballast options available.
- **Finish:** Standard baked white polyester powder coat paint finish. Optional AgION™ antimicrobial finish available.
- **Installation:** See back page for installation details.

## Ordering Information

Example: **MAX - WST45 - 4 - 3 - T5 - EB10IS - 8/A - SS - UNV**

Series	Size	No. Lamps	Lamp Type	Ballast Type	Lens Type	Fasteners	Options	Voltage
<b>MAX-WST45</b>								
	<b>-2</b> Nominal 2' Unit	<b>-3</b> Three Lamps (4' only)	<b>-BX</b> 40W Biax (2' Unit Only)	<b>-EB10IS</b> Electronic Ballast <10% THD Instant Start	<b>ENVIRONMENT</b> <b>SIDE</b> <b>-4</b> .375 Clear Polycarbonate (standard)	<b>-F1</b> Allen Head - center pin reject, standard	<b>-EMG1</b> 1-Lamp Emergency Power Pak 500 Lumen initial output, 90 minute, 32° start temp.	<b>-UNV</b> <b>-347V</b>
	<b>-4</b> Nominal 4' Unit	<b>-2</b> Two Lamps	<b>-T8</b> 4' 32W 2' 17W	<b>-SB</b> Specified Ballast	<b>-8</b> .375" Clear Tempered Glass	<b>-SF</b> Specified Fastener	<b>-EMG2</b> 2-Lamp Emergency Power Pak 1100 Lumen initial output, 90 minute, 32° start temp.	
		<b>-1</b> One Lamp	<b>-T5</b> 4' 28W 2' 14W		<b>LAMP SIDE</b> <b>-A</b> .125 Prismatic Polycarbonate		<b>-SS</b> Stainless Steel Hous- ing, Brushed Stain- less Steel Door	
			<b>-T5HO</b> 4' 54W 2' 24W		<b>-C</b> .140 DR Prismatic Acrylic		<b>-AG</b> AgION™ Antimicro- bial Protection in Powder Coat Paint	
					<b>-G</b> .156 Prismatic Tempered Glass		<b>-PL7</b> 7W PL Nightlight	
					<b>-UV</b> .007 UV Absorb- ing Overlay		<b>-LEDNL</b> LED Nightlight	
							<b>-GLR</b> GLR/HLR Fuse & Holder set	
							<b>-WL</b> Wet Location	

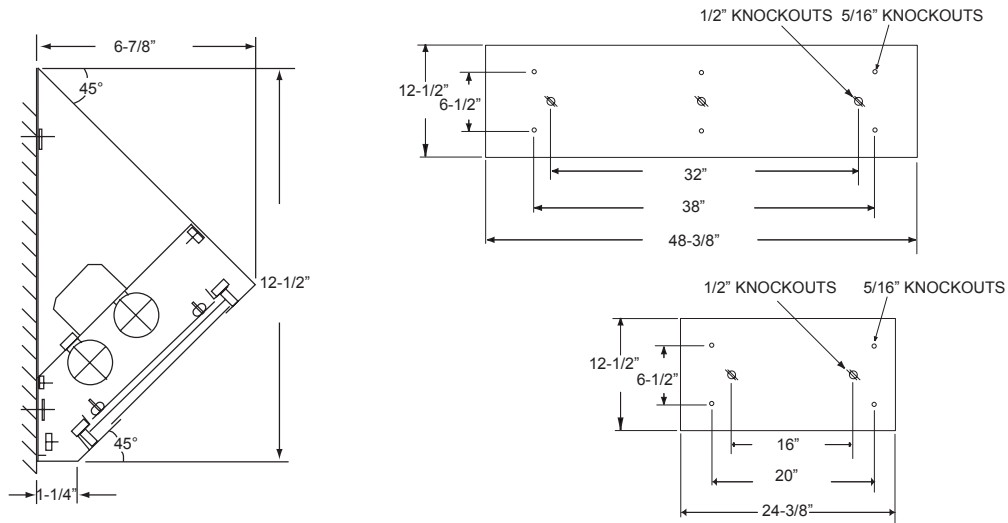
Note: Contact Factory For Additional Configurations.

**Morlite**  
TOUGH SITES ..... TOUGH LITES

1805 Pittsburgh Ave, Erie, PA 16502 • 800-865-5954 • Fax 800-667-9959



**Dimensions & Mounting**

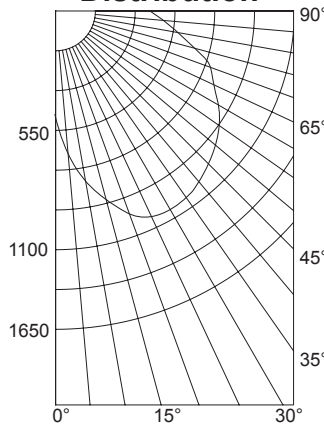


**Photometry**

**Zonal Cavity Coefficient of Utilization**  
 I.T.L. Test No. ITL 37586, Product Catalog Number:  
 MAX-WST45-4-3-T5-EB10IS-8/A-SS-UNV  
 Lamps: Three 28WT5, each rated 3150

Floor Ceilings Walls(%)	80%				20% 70%				50%			
	70	50	30	10	70	50	30	10	50	30	10	
0	48	48	48	48	47	47	47	47	44	44	44	
1	43	40	38	36	41	39	37	35	37	35	34	
2	38	34	31	28	37	33	30	28	31	29	27	
3	35	30	26	23	33	29	25	23	27	24	22	
4	32	26	22	19	30	25	22	19	24	21	18	
5	29	23	19	16	27	22	18	15	21	18	15	
6	26	20	16	13	25	20	16	13	18	15	13	
7	24	18	14	11	23	17	14	11	17	13	11	
8	22	16	12	10	21	16	12	10	15	12	09	
9	20	14	11	08	20	14	11	08	13	10	08	
10	19	13	10	07	18	13	09	07	12	09	07	

**Candlepower  
 Distribution**



**Average Luminance  
 in Footlamberts**

Vertical Angles	Average Brightness	
	Norm	Para
45°	2564	827
55°	2585	690
65°	2561	665
75°	2397	539
85°	2025	258

Lumin. Effi.	Spacing Cross	Maint. Factor
41.0%	2.8	85%

**Options**

**Antimicrobial:** Agion™ Antimicrobial protection using silver technology inhibits bacterial colonization on metal interior and exterior surfaces. Agion™ antimicrobial FDA recognized and EPA registered, meeting all applicable EPA standards.



.125 Prismatic Acrylic  
 Lens Standard