

MAX-NLCH4070 SERIES

Fluorescent Maximum Security Nightlight

INSTITUTIONAL/BEHAVIORAL



Specifier's Reference	
Project Name	Type
Catalog No.	
Comments	

- **Listings/Certifications:** ETL (US/Canada), ADA Compliant

Specifications

- **Housing:** 14 gauge, one-piece die-formed welded housing. Optional stainless steel housing available.
- **Face:** 14 gauge one-piece die-formed cold rolled steel with 3"X6" aperture. Available in brushed stainless steel as option.
- **Lens:** Standard .125" thick clear prismatic acrylic with clear polycarbonate overlay. Optional lensing shown below.
- **Fasteners:** Center pin reject Allen head standard.
- **Lamps:** See below for lamping options. Lamps supplied by others.
- **Ballasts:** Standard Class P, sound rated A magnetic ballasts. Other ballast options available.
- **Finish:** Standard baked white polyester powder coat paint finish. Optional AgION™ antimicrobial finish available.

Ordering Information

Example: **MAX - NLCH - 4070 - 1 - A - F1 - SS - UNV**

Series	Lamps	Ballast Type	Lens Type	Fasteners	Options	Voltage
MAX-NLCH4070						
	-25 One 25W A19 Incandescent	-MAG Magnetic Ballast	ENVIRONMENT SIDE	-F1 Allen Head	-SS Stainless Steel Housing, Brushed Stainless Steel Door	-UNV
	-F4T5 One F4T5 Fluorescent	-SB Instant Start	-4 .375 Clear Polycarbonate (standard)	- center pin reject, standard		-347V
	-PL7 One PL7	-SB Specified Ballast	-8 .375" Clear Tempered Glass	-SF Specified Fastener	-AG AgION™ Antimicrobial Protection in Powder Coat Paint	
			LAMP SIDE		-LLE Lamp Life Extender	
			-A .125 Prismatic Polycarbonate			
			-C .140 DR Prismatic Acrylic			
			-G .156 Prismatic Tempered Glass			
			-UV .007 UV Absorbing Overlay			

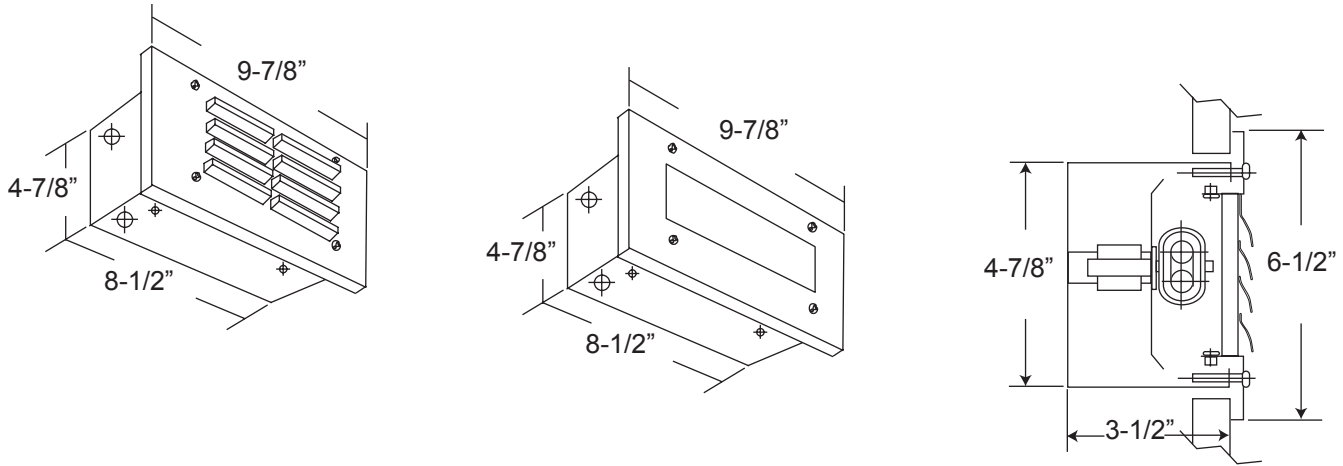
Note: Contact Factory For Additional Configurations.

MAX-NLCH4070 Series

Fluorescent Maximum Security Nightlight



Dimensions & Mounting



Photometry

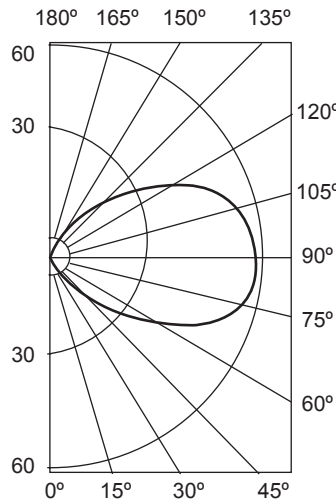
Zonal Cavity Coefficient of Utilization

I.T.L. Test No. ITL 37593, Product Catalog Number: MAX-NLCH-4070-PL5

Lamps: One 5W twin tube compact fluorescent, rated 250 lumens.

Floor Ceilings Walls(%)	80%				20% 70%				50%			
	70	50	30	10	70	50	30	10	50	30	10	
0	50	50	50	50	46	46	46	46	39	39	39	
1	43	39	36	34	39	36	33	31	30	28	26	
2	37	32	28	25	34	29	26	22	24	21	18	
3	33	27	23	19	30	25	21	17	20	17	14	
4	30	24	19	15	27	21	17	14	17	14	11	
5	27	20	16	12	24	18	14	11	15	11	09	
6	25	18	13	10	22	16	12	09	13	10	07	
7	23	16	11	08	20	14	10	07	11	08	06	
8	21	14	10	07	19	13	09	06	10	07	05	
9	19	13	09	06	17	12	08	05	09	06	04	
10	18	12	08	05	16	11	07	05	08	06	04	

Candlepower Distribution



Average Luminance in Footlamberts

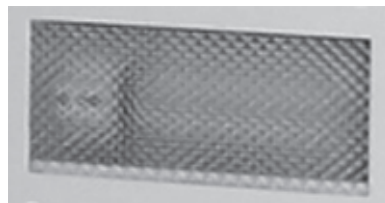
Vertical Angles	Average Brightness	
	Norm	Para
45°	0	887
55°	0	1229
65°	0	1411
75°	0	1443
85°	0	1417

Lumin. Effi.	Spacing Cross	Maint. Factor
47.1%	--	85%

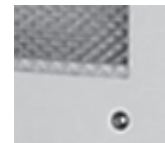
Options



Louver face also available in stainless steel.



Open Face Louver



Prismatic Lens & Tamper-proof screws