

RW SERIES

Fluorescent Minimum Security Nightlight



Die cast faceplate standard.



Brushed stainless steel faceplate optional.

INSTITUTIONAL/BEHAVIORAL

Specifier's Reference

Project Name	Type
Catalog No.	
Comments	

- Listings/Certifications: ETL (US/Canada), ADA Compliant

Specifications

- Designed for demanding environments, a rugged cast aluminum faceplate and louver protect the fixture.
- Provides illumination for nighttime mobility in hospitals & nursing homes.
- Back box is 20-gauge die formed steel.
- Knockouts in top, bottom & side for 1/2" & 3/4" conduit.
- Louver tilts forward for quick relamping without removing faceplate. (Entire stainless faceplate must be removed for maintenance).
- Cast aluminum faceplate & louver. Optional brushed stainless steel faceplate available.
- Large horizontal wireway for several branch circuit wires.
- Adjustable mounting brackets for varying depths of drywall or plaster.
- Faceplate finished in textured, baked powder coating
- LED light source available in white, amber or blue.
- Options include hospital-grade duplex & emergency sign.

Ordering Information

Example: **RW - 113 - 1LG5 - 120V - TP - SS - AM - WT**

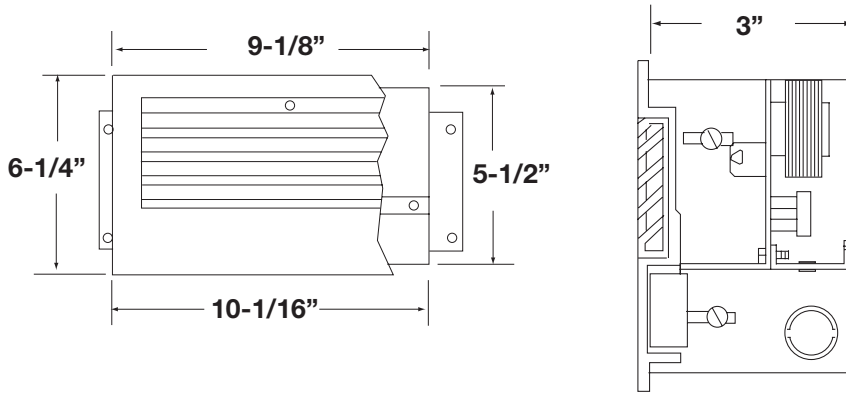
SERIES	LAMPS	FACEPLATE	VOLTAGE	OPTIONS	LED COLOR	FINISH
RW	-	-	-	-	-	-
Recessed	-165	-1L5	-120V	-TP	-WT	-WT
Wall	One F6T-5	Louver front		Tamper proof fastener on louver	White LEDs	White faceplate
Mounted	-265	-1L6	-277V	-SD	-AM	-S
	Two F6T-5	Louver front with hospital-grade ivory duplex receptacle		Tamper proof screwdriver	Red/Amber LEDs	Special color faceplate matched
	-109			-E	-BL	
	One 9-watt PL			Engraved "EMERGENCY" sign 3/8" x 1-13/16"	Blue LEDs	
	-113			-R		
	One 13-watt PL	Louver front with frosted glass lens		Red hospital-grade duplex receptacle in place of ivory		
	L38	-1LG5		-EB		
	LED Light Source	Louver front with frosted glass lens and hospital-grade ivory duplex receptacle		Electronic ballast (available in 13w only; requires quad lamp)		
		-1LG6		-SS		
	*Lamps included			One piece stainless steel faceplate		
				-HPF		
				High power factor ballast		
				-AG		
				Agion™ Antimicrobial Protection in Powder Coat Paint (Available in White only)		

Note: Contact Factory For Additional Configurations.

RW SERIES

Fluorescent Maximum Security Nightlight

Dimensions & Mounting



Photometry

Fixture mounted 16" from floor to bottom edge of fixture. Footcandle measurements based on 1' square grid, started directly under the fixture and at centerline. Readings are for only half of the pattern and assume symmetry.

0	.38	.39	.31	.14	0.5
1	2.0	1.4	.65	.32	.18
2	1.5	1.4	.83	.47	.27
3	.99	.94	.70	.45	.31
4	.65	.63	.52	.39	.29
	0	1	2	3	4

Options



Hospital Grade Duplex and Emergency Sign Options



Easy Access for Maintenance



5W PL Steel Back Box



White LED Option



Amber/Red LED Option



Blue LED Option



LED Steel Back Box.