

# SGN DARKROOM SIGNAGE

Single Faced Signage

# DARKROOM



Specifier's Reference	
Project Name	Type
Catalog No.	
Comments	

• **Listings/Certifications:** ETL (US/Canada) listing

## Specifications

- **Housing:** 18 gauge die-formed and steel housing with lapped and welded seams.
- **Faceplate:** Fully gasketed one piece 18 gauge steel door.
- **Lens:** Smooth, translucent acrylic with silk-screened red letters. Custom Silk Screened Lettering Available.
- **Fasteners:** Plated, Slotted Machine Screw Fasteners.
- **Lamps:** Supplied by others as specified.
- **Finish:** Standard baked white polyester powder coat paint finish.

## Ordering Information

Example: R - 225-SGN - 1PL7 - SD - DRIU - 120V

Mounting	Series	Lamps	Options	Lettering	Voltage
<input type="checkbox"/>	<input type="checkbox"/>	<input type="checkbox"/>	<input type="checkbox"/>	<input type="checkbox"/>	<input type="checkbox"/>
<b>-R</b> Recessed	<b>-225-SGN</b> Shallow Body	<b>225</b> <b>-25W</b> 1-25W A15	<b>-SD</b> 20 Gauge Stainless Steel Faceplate	<b>-IU</b> In Use	<b>-120V</b>
<b>-S</b> Surface	<b>-714-SGN</b> Deep Body	<b>-PL5</b> 1-PL5	<b>-GW</b> Green Letters on White Lens	<b>-DRIU</b> Darkroom In Use	<b>-277V</b>
		<b>-PL7</b> 1-PL7		<b>-XRIU</b> X-Ray In Use	<b>-347V</b>
		<b>714</b>		<b>-RIU</b> Room In Use	<b>-LO</b> Laser On
		<b>-225W</b> 2-25W A15		<b>-CTIU</b> CT In Use	<b>-OP</b> Open
		<b>-2PL5</b> 2-PL5		<b>-LIU</b> Laser In Use	<b>-WR</b> Warning
		<b>-2PL7</b> 2-PL7		<b>-ARA</b> Area of Rescue Assistance	<b>-CN</b> Caution
				<b>-EX</b> Exit	<b>-DNE</b> Do Not Enter
				<b>-NE</b> No Exit	<b>-SW</b> Custom Lettering (contact factory for quote)

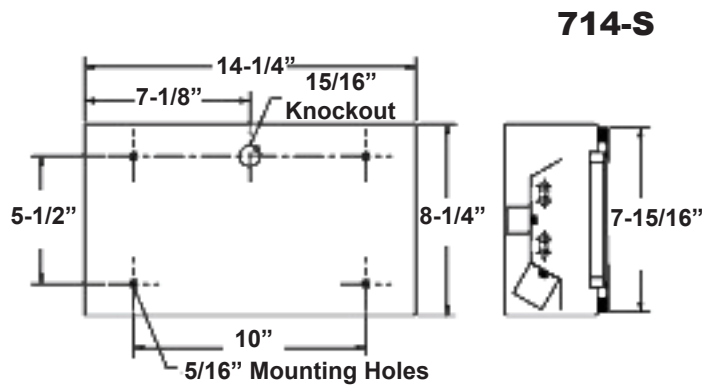
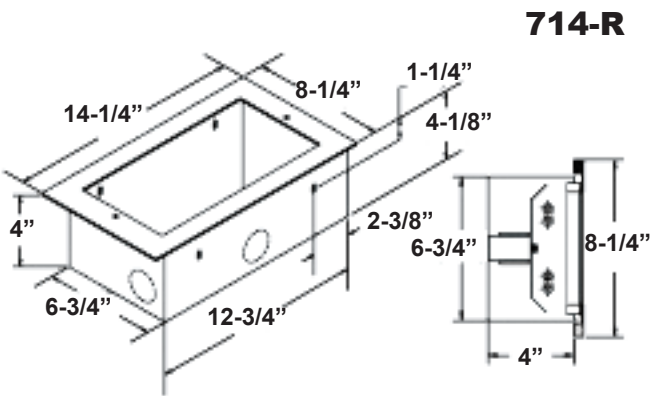
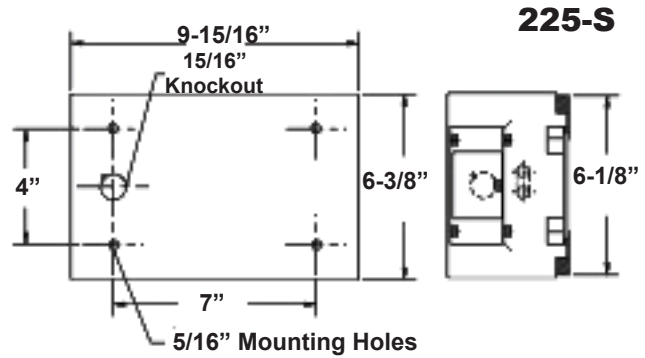
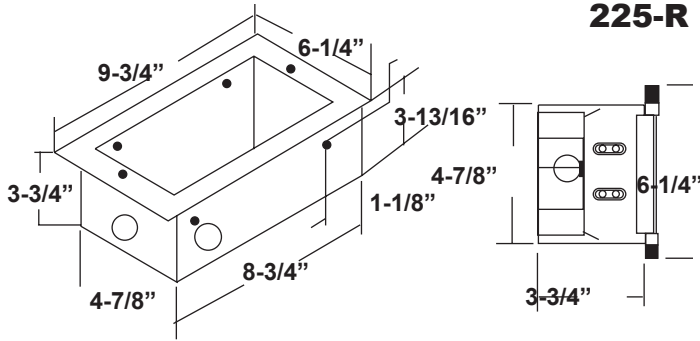
# SGN DARKROOM SIGNAGE

Single Faced Signage

# Morlite

TOUGH SITES ..... TOUGH LITES

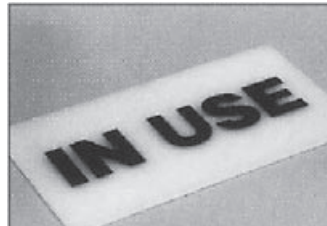
## Dimensions & Mounting



## Features



Faceplate sealed to prevent light leaks.



Smooth translucent acrylic lens with 2" silkscreened red letters.



Lamp(s) easy to change.



Surface Mounted.



Recessed Unit.

# Morlite

a Genlyte company