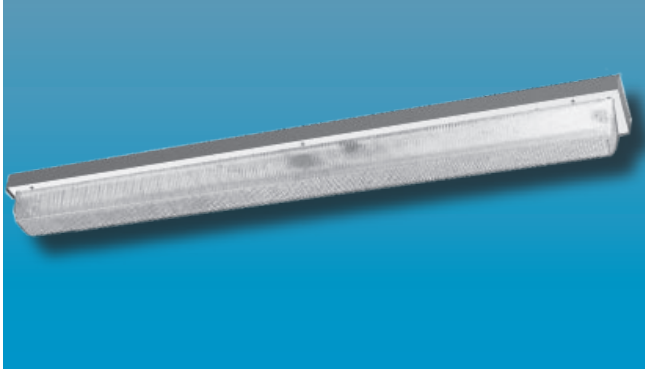


SM55 SERIES

SURFACE MOUNTED LINEAR

INSTITUTIONAL/BEHAVIORAL



Specifier's Reference	
Project Name	Type
Catalog No.	
Comments	

- **Listings/Certifications:** ETL (US/Canada). Damp location listed

Specifications

- **Housing:** Die formed 16 Gauge cold rolled steel.
- **Lens:** UV stabilized, injection molded polycarbonate wrap around lens protects internal parts from the elements and vandalism.
- **Gasket:** Closed cell neoprene gasket and fiberglass pad to keep out moisture and insects.
- **Fasteners:** Center pin reject Allen head standard.
- **Lamps:** Lamps supplied by others. See below for lamping options.
- **Ballasts:** Standard Class P, sound rated A electronic ballasts. Other ballast options available.
- **Mounting:** Wall or ceiling mounted individually or in continuous rows.
- **Finish:** Multi-stage pretreatment process polyester powder coating. Gloss 83%, reflectance 90%, salt spray 1,000 hrs. Custom colors available; consult factory. Optional AgION™ antimicrobial finish available.

Ordering Information

Example: **SM - 55 - 4 - 132 - EB - F1 - FS - UNV**

Series	Size	Lamp Type	Ballast Type	Fasteners	Options	Voltage
SM55	- [] -	[] -	[] -	[] -	[] -	[]
	Nominal 4' Unit	-132 1-32W T8	-EB Electronic Ballast Standard	-F1 Allen Head - center pin reject, standard	-EMG1 1-Lamp Emergency Power Pak 500 Lumen initial output, 90 minute, 32° start temp.	-UNV
		-240BX 2-40W biax	-SB Specified Ballast	-SF Specified Fastener	-FS HLR/GLR Fuse & Holder set	-347V
					-AG AgION Antimicrobial Protection on Painted Surfaces	

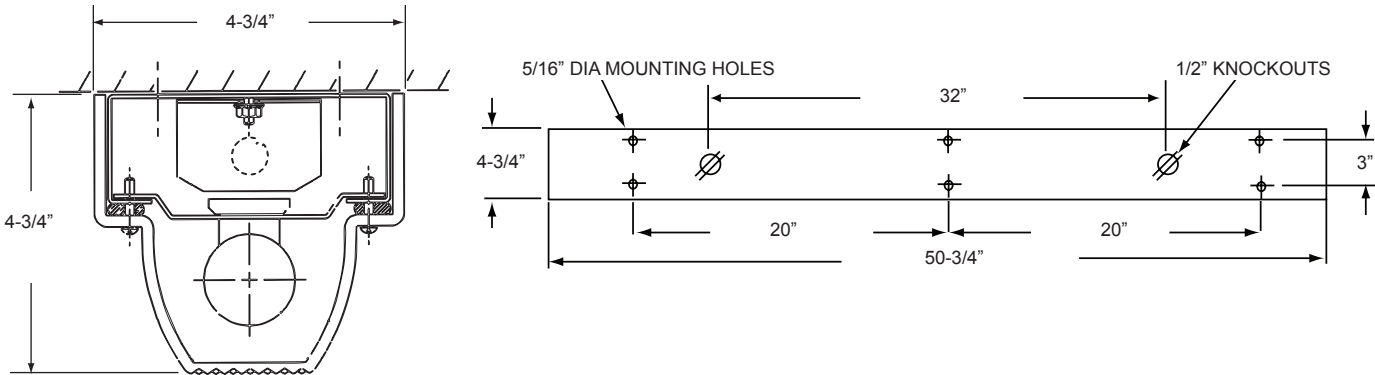
Note: Contact Factory For Additional Configurations.

Morlite
TOUGH SITES TOUGH LITES

1805 Pittsburgh Ave, Erie, PA 16502 • 800-865-5954 • Fax 800-667-9959



Dimensions & Mounting



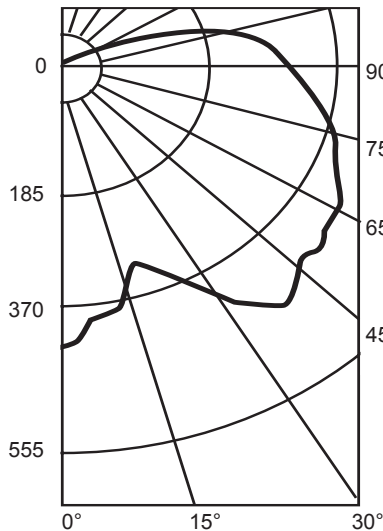
Photometry

Zonal Cavity Coefficient of Utilization

B.A.L.L. Test No. 8257.0, Product Catalog Number:
SM-55-4-132- EB10IS-F1-FS-UNV
Lamps: F32T8/735/RS, Rated 2850 lumens.

Floor Ceilings Walls(%)	80%				20% 70%				50%			
	70	50	30	10	70	50	30	10	50	30	10	
0	.74	.74	.74	.74	.72	.72	.72	.72	.67	.67	.67	
1	.65	.61	.58	.54	.63	.59	.56	.53	.55	.52	.49	
2	.58	.52	.46	.42	.56	.50	.45	.41	.46	.42	.38	
3	.53	.45	.39	.34	.50	.43	.38	.33	.40	.35	.31	
4	.48	.39	.33	.28	.46	.38	.32	.27	.35	.30	.26	
5	.43	.34	.28	.23	.41	.33	.27	.22	.30	.25	.21	
6	.40	.30	.24	.19	.38	.29	.23	.19	.27	.22	.18	
7	.36	.27	.21	.17	.35	.26	.20	.16	.24	.19	.16	
8	.34	.24	.18	.14	.32	.23	.18	.14	.22	.17	.13	
9	.31	.22	.16	.12	.30	.21	.16	.12	.20	.15	.11	
10	.29	.20	.14	.11	.28	.19	.14	.11	.18	.13	.10	

**Candlepower
Distribution**



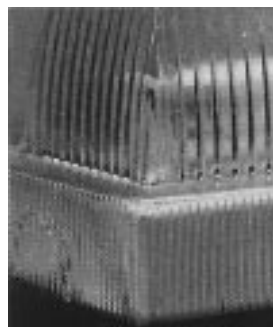
**Average Luminance
in Footlamberts**

Vertical Angles	Average Brightness	
	Norm	Para
45°	624	588
55°	632	577
65°	625	536
75°	543	525
85°	516	459

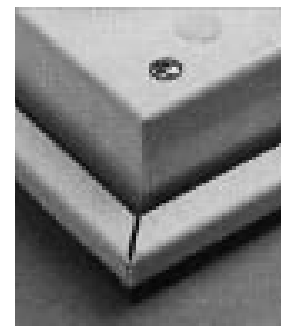
Lumin. Effi.	Spacing Cross	Maint. Factor
64.2%	1.7	85%

Features

Antimicrobial: Agion® Antimicrobial protection using silver technology inhibits bacterial colonization on metal interior and exterior surfaces. Agion™ antimicrobial FDA recognized and EPA registered, meeting all applicable EPA standards.



One piece injection molded UV stabilized polycarbonate lens



16 Gauge steel mounting back plate