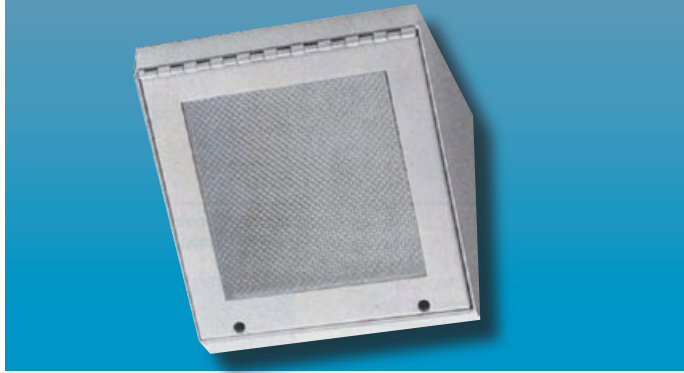


SMAX-CH2121 SERIES

12GA SUPER MAXIMUM SECURITY

CORNER MOUNTED

SUPER MAXIMUM SECURITY



Specifier's Reference

Project Name	Type
Catalog No.	
Comments	

- **Listings/Certifications:** ETL (US/Canada)

Specifications

- **Housing:** 12ga cold rolled steel housing. All exposed seams continuous welded and ground smooth. Optional stainless steel housing available.
- **Door:** One-piece die-formed cold rolled steel in gauge to match housing. Available in brushed stainless steel as option.
- **Lens:** Standard .125" thick clear prismatic acrylic with clear polycarbonate overlay. Optional lensing shown below.
- **Lens Retention:** Vertically adjustable "Z" shaped retaining angles secured with through studs and die-cast locknuts. Gauge to match housing.
- **Fasteners:** Fully recessed, captive, center pin reject Allen head standard. Optional fasteners shown below.
- **Hinge:** 16ga 1/4" diameter knuckle, continuous piano hinge with welded pin ends. Hinge welded to housing and door.
- **Lamps:** See below for lamping options. Lamps supplied by others.
- **Ballasts:** Standard Class P, sound rated A electronic ballasts. Other ballast options available.
- **Finish:** Standard baked white polyester powder coat paint finish. Optional AgION™ antimicrobial finish available.

Ordering Information

Example: **SMAX - CH2121 - 2PL26 - MAG - 4/A - SS - 120V**

Series	Lamp Type	Ballast Type	Lens Type	Fasteners	Options	Voltage
SMAX-CH2121			/			
	-2PL9 Two PL9	-MAG Standard	ENVIRONMENT SIDE -4	-F1 Allen Head	-SS Stainless Steel	-120V
	-2PL13 Two PL13	Electromagnetic Ballast	.375 Clear Polycarbonate (standard)	- center pin reject, standard	Housing, Brushed Stainless Steel	-277V
	-2PL26 Two PL26	-EB Electronic Ballast	-8		Door	-347V
	-1PLT32 One 32W Triple	(requires PLQ lamps)	.375 Clear Tempered Glass	-SF Specified Fastener	-AG AgION™ Antimicrobial Protection in Powder Coat Paint	
	-1PLT42 One 42W Triple	-SB Specified Ballast	LAMP SIDE -A		-LLE Lamp Life Extender	
			.125 Prismatic Acrylic		-GLR GLR/HLR Fuse & Holder set	
			-C		-WL Wet Location	
			.140 DR Prismatic Acrylic			
			-G			
			.156 Prismatic Tempered Glass			
			-UV			
			.007 UV Absorbing Overlay			

Note: Contact Factory For Additional Configurations.

Morlite
TOUGH SITES TOUGH LITES

1805 Pittsburgh Ave, Erie, PA 16502 • 800-865-5954 • Fax 800-667-9959

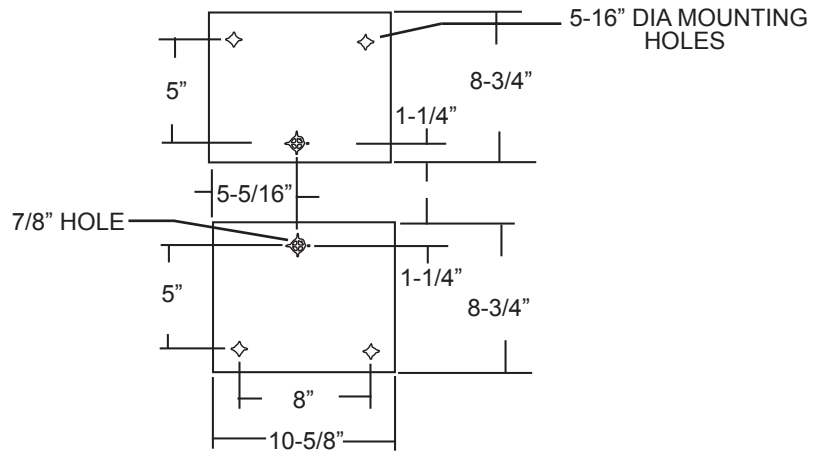
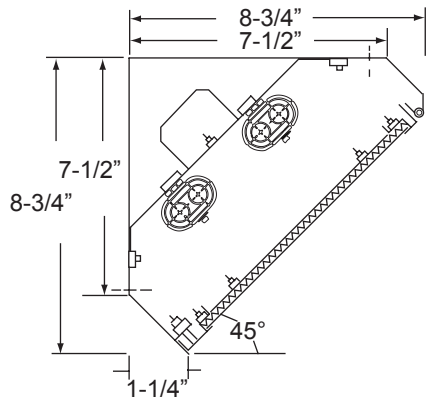


SMAX-CH2121 SERIES

SUPER MAXIMUM SECURITY
CORNER MOUNTED



Dimensions & Mounting



Photometry

Zonal Cavity Coefficient of Utilization

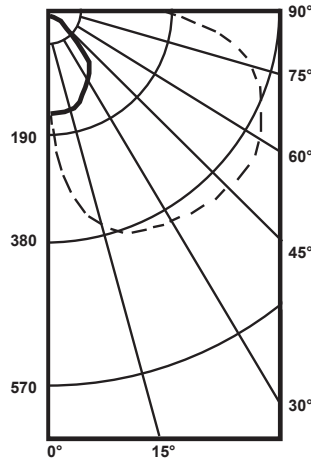
I.T.L. Test No. ITL 37583,

Product Catalog Number: SMAX-CH2121-2PL13

Lamps: Two 13W twin tube compact fluorescent, each rated 900 lumens.

Floor	80%			20%			50%				
Ceilings	70	50	30	10	70	50	30	10	50	30	10
0	49	49	49	49	48	48	48	48	45	45	45
1	44	42	39	37	43	40	38	37	38	36	35
2	40	36	33	30	38	35	32	29	33	30	28
3	36	31	27	24	35	30	27	24	29	26	23
4	33	27	24	21	32	27	23	20	25	22	20
5	30	24	20	17	29	24	20	17	22	19	17
6	27	22	18	15	26	21	17	15	20	17	14
7	25	19	15	13	24	19	15	12	18	14	12
8	23	17	14	11	22	17	13	11	16	13	11
9	22	16	12	10	21	15	12	09	15	11	09
10	20	14	11	08	19	14	11	08	13	10	08

Candlepower Distribution



Average Luminance in Footlamberts

Average Brightness Vertical Norm Para Angles	3414	820
45°	3414	820
55°	3443	727
65°	3408	700
75°	3019	620
85°	2265	501

Lumin. Eff.	Spacing Cross	Maint. Factor
42.0%	2.9	85%

Options

Antimicrobial: Agion™ Antimicrobial protection using silver technology inhibits bacterial colonization on metal interior and exterior surfaces. Agion™ antimicrobial FDA recognized and EPA registered, meeting all applicable EPA standards.



.125 Prismatic Acrylic Lens Standard

