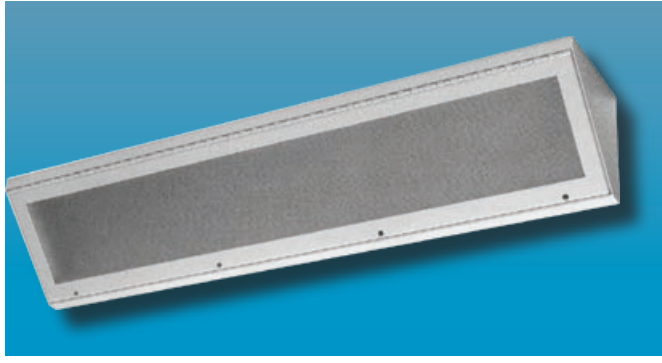


SMAX-CH89 SERIES

12GA SUPER MAXIMUM SECURITY CORNER MOUNTED

SUPER MAXIMUM SECURITY



Specifier's Reference

Project Name	Type
Catalog No.	
Comments	

- **Listings/Certifications:** ETL (US/Canada).

Specifications

- **Housing:** 12ga cold rolled steel one-piece die-formed welded housing. Optional stainless steel housing available.
- **Door:** One-piece die-formed cold rolled steel in gauge to match housing. Available in brushed stainless steel as option.
- **Lens:** Standard .125" thick clear prismatic acrylic with clear polycarbonate overlay. Optional lensing shown below.
- **Lens Retention:** Vertically adjustable "Z" shaped retaining angles secured with through studs and die-cast locknuts. Gauge to match housing.
- **Fasteners:** Fully recessed, captive, center pin reject Allen head standard. Optional fasteners shown below.
- **Hinge:** 16ga 1/4" diameter knuckle, continuous piano hinge with welded pin ends. Hinge welded to housing and door.
- **Lamps:** See below for lamping options. Lamps supplied by others.
- **Ballasts:** Standard Class P, sound rated A electronic ballasts. Other ballast options available.
- **Finish:** Standard baked white polyester powder coat paint finish. Optional AgION™ antimicrobial finish available.

Ordering Information

Example: **SMAX - CH89 - 4 - 3 - T5 - EB - 5/G - SS - UNV**

Series	Size	No. Lamps	Lamp Type	Ballast Type	Lens Type	Fasteners	Options	Voltage
SMAX-CH89	- [] -	[] -	[] -	[] -	[] / [] -	[] -	[] -	[] -
	-4 4' Unit	-3 Three Lamps	-T8 4' 32W	-EB Electronic Ballast	ENVIRONMENT SIDE	-F1 Allen Head - center pin reject, standard	-EMG1 1-Lamp Emergency Power Pak	-UNV
	-2 2' Unit	-2 Two Lamps	-T5 4' 28W 2' 14W	-SB Specified Ballast	-5 .50" Clear Polycarbonate (standard)	-SF Specified Fastener	-EMG2 2-Lamp Emergency Power Pak	-347V
		-1 One Lamp	-T5HO 4' 54W 2' 24W		-9 .50" Clear Tempered Glass		-SS Stainless Steel Housing, Brushed Stainless Steel Door	
					LAMP SIDE		-SS Stainless Steel Housing, CRS Door	
					-A .125 Prismatic Acrylic		-AG AgION™ Antimicrobial Protection in Powder Coat Paint	
					-E .125 Prismatic Polycarbonate		-PL7 7W PL Nightlight	
					-G .156 Prismatic Tempered Glass		-GLR GLR/HLR Fuse & Holder set	
					-UV .007 UV Absorbing Overlay		-WL Wet Location	
							-LLE Lamp Life Extender	

Note: Contact Factory For Additional Configurations.

Morlite
TOUGH SITES TOUGH LITES

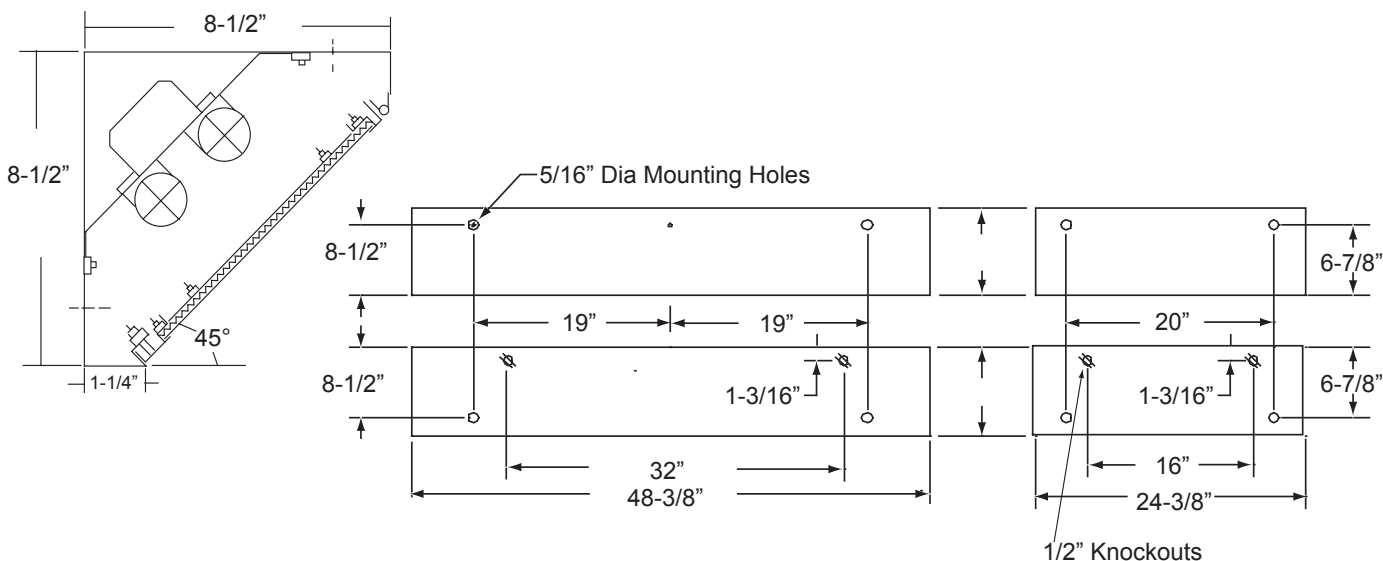
1805 Pittsburgh Ave, Erie, PA 16502 • 800-865-5954 • Fax 800-667-9959



SMAX-CH89 SERIES
 SUPER MAXIMUM SECURITY CORNER MOUNTED



Dimensions & Mounting

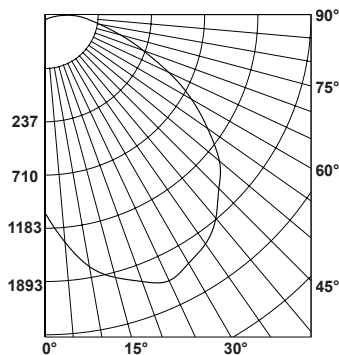


Photometry

Zonal Cavity Coefficient of Utilization
 Photopia Test No. 2.0.0.17,
 Product Catalog Number: MAX-CH89-4-2
 Lamps: Two 32WT8, rated 2900 lumens.

Floor	80%				20%			
	70	50	30	10	70	50	30	10
0	82	82	82	82	79	79	79	79
1	72	68	64	61	70	66	62	59
2	65	58	52	47	62	56	51	46
3	58	50	43	38	56	48	42	37
4	53	44	37	31	51	42	36	31
5	48	39	32	27	46	37	31	26
6	44	34	28	23	43	33	27	22
7	41	31	24	20	39	30	24	20
8	38	28	22	17	37	27	21	17
9	35	26	20	15	34	25	19	15
10	33	23	18	14	32	23	17	13

Candlepower Distribution



Average Luminance in Footlamberts

Average Brightness Vertical Norm Para Angles	4607	1566
45°	4607	1566
55°	4231	1216
65°	3511	1008
75°	2710	724
85°	1883	318

Lumin. Eff.	Spacing Cross	Maint. Factor
70.0%	2.63	85%

Options

Antimicrobial: Agion™ Antimicrobial protection using silver technology inhibits bacterial colonization on metal interior and exterior surfaces. Agion™ antimicrobial FDA recognized and EPA registered, meeting all applicable EPA standards.



.125 Prismatic Acrylic Lens Standard