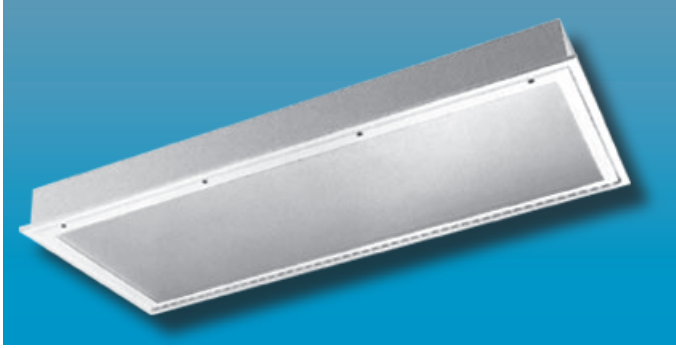


SMAX-FH205 SERIES

SUPER MAXIMUM SECURITY 20" WIDE
RECESSED FLANGE TROFFER

SUPER MAXIMUM SECURITY



Specifier's Reference

Project Name	Type
Catalog No.	
Comments	

- **Listings/Certifications:** ETL(US/Canada)

Specifications

- **Housing:** 12 gauge, one-piece die-formed welded housing. Optional stainless steel housing available.
- **Door:** 12 gauge one-piece die-formed cold rolled steel Available in brushed stainless steel as option.
- **Lens:** Standard .125" thick clear prismatic acrylic with clear polycarbonate overlay. Optional lensing shown below.
- **Lens Retention:** Vertically adjustable "Z" shaped retaining angles secured with through studs and die-cast locknuts.
- **Hinge:** 14 gauge 1/4" diameter knuckle, continuous piano hinge with welded pin ends. Hinge welded to housing and door.
- **Fasteners:** Fully recessed, captive, center pin reject Allen head standard.
- **Lamps:** See below for lamping options. Lamps supplied by others.
- **Ballasts:** Standard Class P, sound rated A electronic ballasts. Other ballast options available.
- **Finish:** Standard baked white polyester powder coat paint finish. Optional AgION™ antimicrobial finish available.
- **Mounting:** 14 gauge galvanized steel "U" channel mount accommodates various ceiling types and thicknesses. Additional mounting options shown below. Support above plenum by others. Optional plaster frame also available.

Ordering Information

Example: **SMAX - FH205 - 4 - 6 - T5 - EB10IS - 5/A - SS - UNV**

Series	Size	No. Lamps	Lamp Type	Ballast Type	Lens Type	Fasteners	Options	Voltage
SMAX-FH205								
	-4 Nominal 4' Unit	-4 Four Lamps	-T8 4' 32W 2' 17W	-EB10IS Electronic Ballast <10% THD Instant Start	ENVIRONMENT SIDE -5 .50" Clear Polycarbonate (standard)	-F1 Allen Head - center pin reject, standard	-EMG1 1-Lamp Emergency Power Pak 500 Lumen initial output, 90 minute, 32° start temp.	-UNV -347V
	-2 Nominal 2' Unit	-3 Three Lamps	-T5 4' 28W 2' 14W	-SB Specified Ballast	-9 .50" Clear Tempered Glass LAMP SIDE	-SF Specified Fastener	-EMG2 2-Lamp Emergency Power Pak 1100 Lumen initial output, 90 minute, 32° start temp.	
		-2 Two Lamps	-T5HO 4' 54W 2' 24W		-A .125 Prismatic Polycarbonate		-SS Stainless Steel Housing, Brushed Stainless Steel Door	
					-E .125 Prismatic Poly- carbonate		-AG AgION™ Antimicrobial Protection in Powder Coat Paint	
					-G .156 Prismatic Tem- pered Glass		-PL7 7W PL Nightlight	
					-UV .007 UV Absorbing Overlay		-GLR GLR/HLR Fuse & Holder set	
							-PF Plaster Frame	
							-WL Wet Location	

Note: Contact Factory For Additional Configurations.

Morlite
TOUGH SITES TOUGH LITES

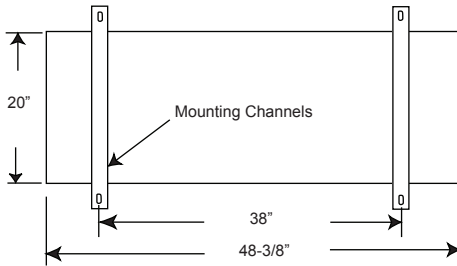
1805 Pittsburgh Ave, Erie, PA 16502 • 800-865-5954 • Fax 800-667-9959



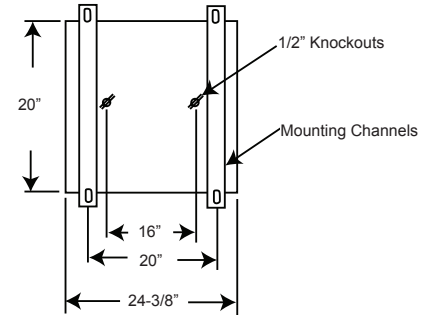
SMAX-FH205 SERIES
 SUPER MAXIMUM SECURITY 20" WIDE
 RECESSED FLANGE TROFFER



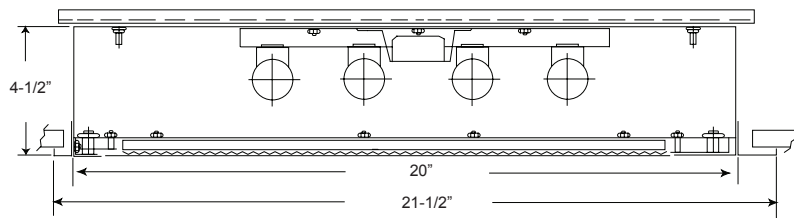
Dimensions & Mounting



Ceiling Opening 20-1/2" X 48-7/8"



Ceiling Opening 20-1/2" X 24-7/8"



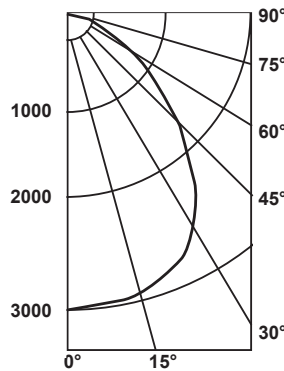
Photometry

Zonal Cavity Coefficient of Utilization

I.T.L. Test No. ITL 37564, Product Catalog Number:
 SMAX-FH205-4-F-4-T8-EB10IS-4/A-SSD-F1-UNV
 Lamps: Four 32WT8, each rated 3150

Floor Ceilings Walls(%)	80%				20% 70%				50%			
	70	50	30	10	70	50	30	10	50	30	10	
0	65	65	65	65	64	64	64	64	61	61	61	
1	61	59	57	55	59	57	56	54	55	54	53	
2	56	53	50	47	55	52	49	47	50	47	45	
3	52	47	44	41	51	47	43	40	45	42	40	
4	48	43	39	35	47	42	38	35	41	37	35	
5	45	38	34	31	43	38	34	31	37	33	30	
6	41	35	30	27	40	34	30	27	33	29	27	
7	38	31	27	24	37	31	27	24	30	26	24	
8	35	28	24	21	34	28	24	21	27	23	21	
9	32	25	21	18	32	25	21	18	24	21	18	
10	30	23	19	16	29	23	19	16	22	18	16	

**Candlepower
Distribution**



**Average Luminance
in Footlamberts**

Vertical Angles	Average Brightness	
	Norm	Para
45°	1597	1370
55°	1112	1013
65°	771	771
75°	603	621
85°	325	271

Lumin. Effi.	Spacing Cross	Maint. Factor
54.8%	1.3	85%

Options

Antimicrobial: Agion™ Antimicrobial protection using silver technology inhibits bacterial colonization on metal interior and exterior surfaces. Agion™ antimicrobial FDA recognized and EPA registered, meeting all applicable EPA standards.



.125 Prismatic Acrylic
Lens Standard

