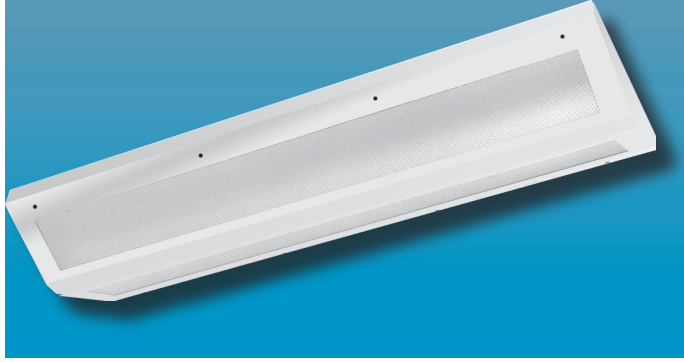


# SMAX-SDPH3030 SERIES

12GA SUPER MAXIMUM SECURITY SURFACE  
WITH DROP HINGE DOOR



# SUPER MAXIMUM SECURITY

## Specifier's Reference

Project Name	Type
Catalog No.	
Comments	

- **Listings/Certifications:** ETL (US/Canada) listing

## Specifications

- **Housing:** One piece 12-gauge steel clamshell housing. All exposed seams continuous welded.
- **Door:** 12-gauge cold rolled steel drop hinged door with mitered corners and closed cell gasket.
- **Lens:** .50" thick clear polycarbonate standard. Optional lensing shown below.
- **Hinge:** Completely concealed, 16-gauge, 1/4" diameter knuckle, continuous piano hinge with welded pin ends. Hinge welded to one-piece housing and bolted to back plate.
- **Lamps:** See below for lamping options. Lamps supplied by others.
- **Lens Retention:** Vertically adjustable "Z" shaped retaining angles secured by through studs and die cast locknuts.
- **Ballasts:** Standard universal voltage 120V through 277V electronic 90% power factor <10% THD. Other ballast options available.
- **Finish:** Standard baked white polyester powder coat paint finish. Optional AgION™ antimicrobial finish available.
- **Mounting:** Embossed mounting holes in backplate to provide direct contact with mounting surface. See mounting details.

## Ordering Information

Example: **SMAX - SDPH3030 - 4 - 3 - T8 - EB10IS - 9/A - SSD - F1 - UNV**

Series	Length	No. Lamps	Lamp Type	Ballast Type	Lens Type	Fasteners	Options	Voltage
<b>SMAX-SDPH3030</b>	- [ ] -	[ ] -	[ ] -	[ ] -	[ ] / [ ] -	[ ] -	[ ] -	[ ] -
	<b>-4</b> 4' Unit	<b>-3</b> Three Lamps	<b>-Biax</b> 40W (2')	<b>-EB10IS</b> Electronic Ballast <10% THD Instant Start	<b>ENVIRONMENT</b> <b>-5</b> .50" Clear Polycarbonate (standard)	<b>-F1</b> Allen Head - center pin reject, standard	<b>-EMG1</b> 1-Lamp Emergency Power Pak 500 Lumen initial output, 90 minute, 32° start temp.	<b>-UNV</b> (120V-277V)
	<b>-2</b> 2' Unit	<b>-2</b> Two Lamps	<b>-T8</b> 32W (4')	<b>-SB</b> Specified Ballast	<b>-9</b> .50" Clear Tempered Glass	<b>-SF</b> Specified Fastener	<b>-EMG2</b> 2-Lamp Emergency Power Pak 1100 Lumen initial output, 90 minute, 32° start temp.	<b>-347V</b>
					<b>LAMP SIDE</b> <b>-A</b> .125 Prismatic Acrylic		<b>-SSD</b> Stainless Steel Door, CRS Housing	
					<b>-E</b> .125 Prismatic Polycarbonate		<b>-SS</b> Stainless Steel Door & Housing	
					<b>-G</b> .156 Prismatic Tempered Glass		<b>-AG</b> AgION™ Antimicrobial Protection in Powder Coat Paint	
					<b>-UV</b> .007 UV Absorbing Overlay		<b>-GLR</b> GLR/HLR Fuse & Holder set	
							<b>-PL7</b> 7W PL Nightlight	

Note: Contact Factory For Additional Configurations.

**Morlite**  
TOUGH SITES ..... TOUGH LITES

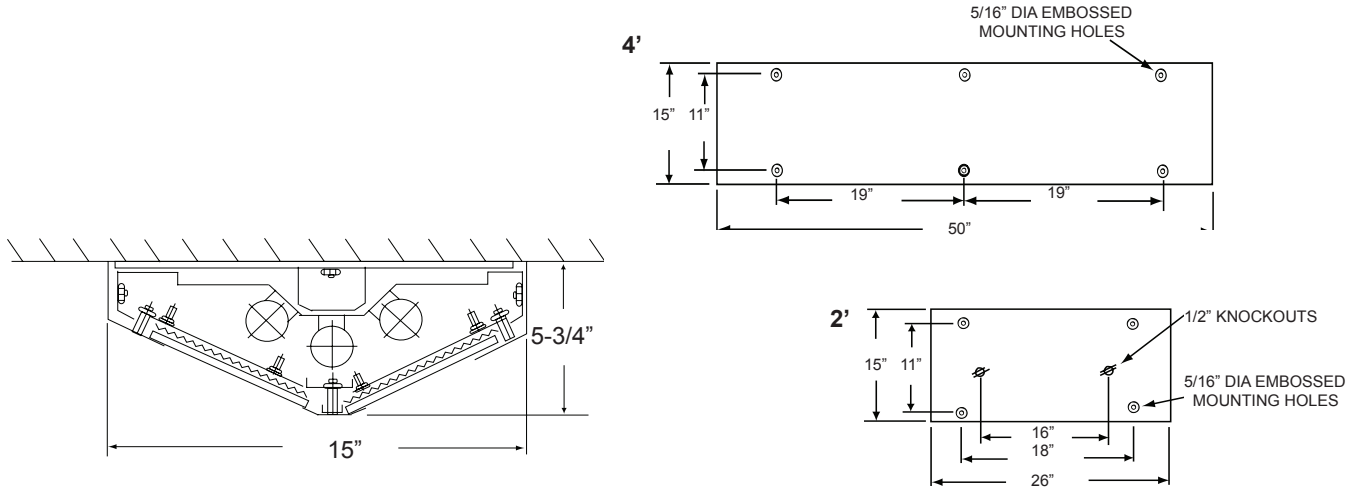
1805 Pittsburgh Ave, Erie, PA 16502 • 800-865-5954 • Fax 800-667-9959



**SMAX-SDPH3030 SERIES**  
 SUPER MAXIMUM SECURITY SURFACE  
 WITH DROP HINGE DOOR



**Dimensions & Mounting**



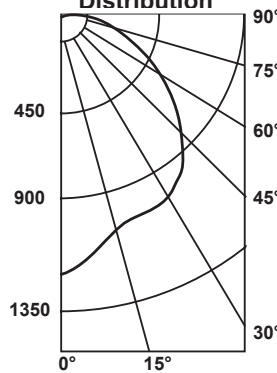
**Photometry**

**Photometric Data**

**Zonal Cavity Coefficient of Utilization**  
 I.T.L. Test No ITL37575, Product Catalog Number:  
 SMAX-SDPH3030-4-3-T8-EB10IS-9/A-SS-F1-UNV  
 Lamps: Three F32T8, each rated 3150

Floor Ceilings Walls(%)	80%				20% 70%				50%			
	70	50	30	10	70	50	30	10	50	30	10	
0	49	49	49	49	48	48	48	48	45	45	45	
1	45	42	41	39	43	41	40	38	39	38	37	
2	40	37	34	31	39	36	33	31	34	32	30	
3	37	32	29	26	36	32	28	26	30	28	25	
4	34	29	25	22	33	28	24	22	27	24	21	
5	31	25	21	18	30	25	21	18	24	20	18	
6	28	22	19	16	27	22	18	16	21	18	15	
7	26	20	16	14	25	20	16	13	19	16	13	
8	24	18	14	12	23	18	14	12	17	14	11	
9	22	16	12	10	21	16	12	10	15	12	10	
10	20	15	11	09	20	14	11	09	14	11	09	

**Candlepower  
Distribution**



**Average Luminance  
in Footlamberts**

Vertical Angles	Average Brightness	
	Norm	Para
45°	1184	607
55°	1376	473
65°	1511	383
75°	1354	310
85°	1199	175

Lumin. Effi.	Spacing Cross	Maint. Factor
41.5%	1.4	85%

**Options**

**Antimicrobial:** Agion™ Antimicrobial protection using silver technology inhibits bacterial colonization on metal interior and exterior surfaces. Agion™ antimicrobial FDA recognized and EPA registered, meeting all applicable EPA standards.



.125 Prismatic Acrylic  
Lens Standard