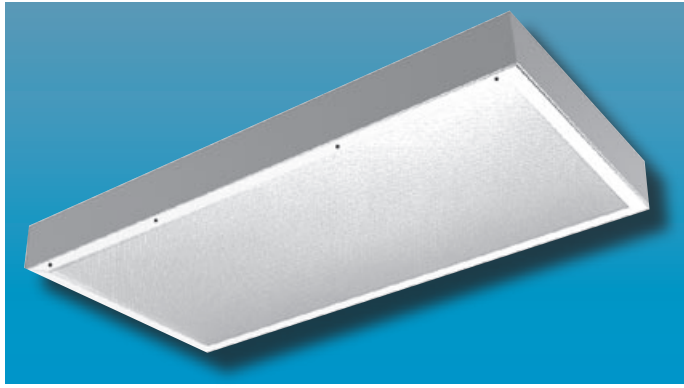


SMAX-SH SERIES

12GA SUPER MAXIMUM SECURITY SURFACE



SUPER MAXIMUM SECURITY

Specifier's Reference

Project Name	Type
Catalog No.	
Comments	

- **Listings/Certifications:** ETL (US/Canada) listing

Specifications

- **Housing:** 12-gauge die formed steel housing. All exposed seams have continuous weld.
- **Door:** 14-gauge cold rolled steel drop hinged door with mitered corners and closed cell gasket.
- **Lens:** .50" thick clear polycarbonate standard. Optional lensing shown below.
- **Gasket:** 4lb density polyester foam standard. Closed cell available.
- **Lamps:** See below for lamping options. Lamps supplied by others.
- **Lens Retention:** Full length, vertically adjustable "Z" shaped retaining angles secured by through studs and die cast locknuts.
- **Ballasts:** Standard universal voltage 120V through 277V electronic 90% power factor <10% THD. Other ballast options available.
- **Finish:** Standard baked white polyester powder coat paint finish. Optional AgION™ antimicrobial finish available.
- **Mounting:** Standard 5/16" diameter mounting holes (4) for surface mounting. Hardware and support above plenum by others.

Ordering Information

Example: **SMAX - SDPH - 24 - F - 4 - T5 - EB10IS - 9/A - SS - F1 - UNV**

Series	Size	No. Lamps	Lamp Type	Ballast Type	Lens Type	Fasteners	Options	Voltage
SMAX-SH	- [] -	- [] -	- [] -	- [] -	- [/] -	- [] -	- [] -	- []
	-24 2 X 4 Unit	-4 Four Lamps	-T8 32W (2X4) 17W (2X2) 32W (1X4)	-EB10IS Electronic Ballast <10% THD Instant Start	ENVIRONMENT -5 .50" Clear Polycarbonate (standard)	-F1 Allen Head - center pin reject, standard	-EMG1 1-Lamp Emergency Power Pak 500 Lumen initial output, 90 minute, 32° start temp.	-UNV (120V- 277V) -347V
	-22 2 X 2 Unit	or 2X2 -3 Three Lamps	-T5 28W (2X4) 14W (2X2)	-SB Specified Ballast	-9 .50" Clear Tempered Glass	-SB Specified Fastener	-EMG2 2-Lamp Emergency Power Pak 1100 Lumen initial output, 90 minute, 32° start temp.	
	-14 1 X 4 Unit	-2 Two Lamps	-T5HO 54W (2X4) 24W (2X2) 54W (1X4)		LAMP SIDE -A .125 Prismatic Acrylic -E .125 Prismatic Polycarbonate -G .156 Prismatic Tempered Glass -UV .007 UV Absorbing Overlay		-PL7 7W PL Nightlight -SS Stainless Steel Door & Housing -AG AgION™ Antimicrobial Protection in Powder Coat Paint -GLR GLR/HLR Fuse & Holder set	

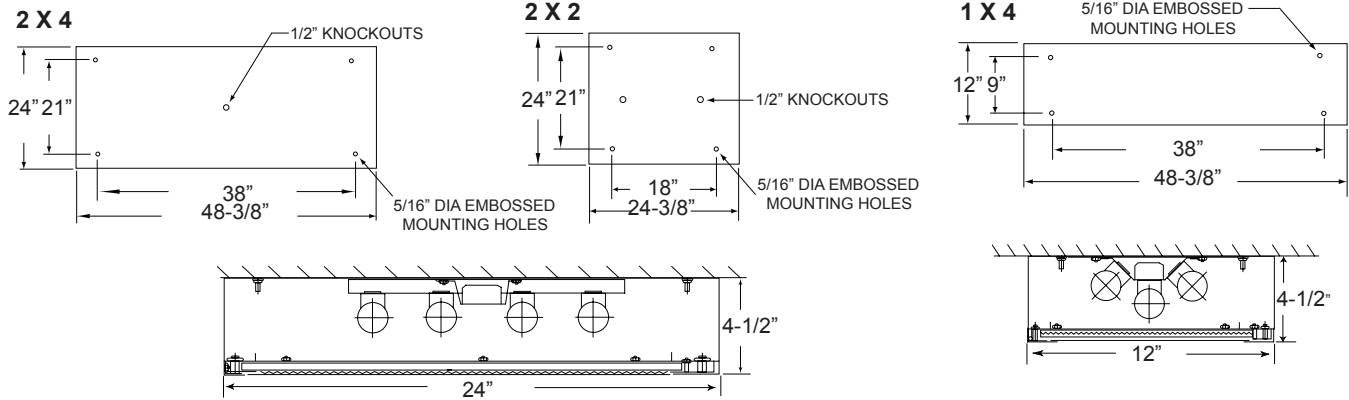
Note: Contact Factory For Additional Configurations.

Morlite
TOUGH SITES TOUGH LITES

1805 Pittsburgh Ave, Erie, PA 16502 • 800-865-5954 • Fax 800-667-9959

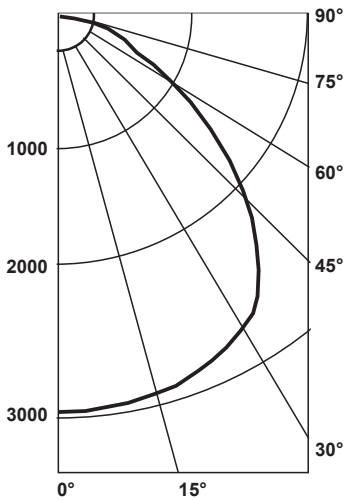


Dimensions & Mounting



Photometry

Candlepower Distribution



Average Luminance in Footlamberts

Vertical Angles	Average Brightness	
	Norm	Para
45°	1184	607
55°	1376	473
65°	1511	383
75°	1354	310
85°	1199	175
Lumin. Effi.	Spacing Cross	Maint. Factor
41.5%	1.4	85%

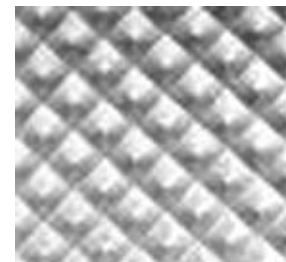
Zonal Cavity Coefficient of Utilization

I.T.L. Test No. ITL 37573, Product Catalog Number: SMAX-SH-24-F-4-T8-EB10IS-8/A-SSD-F1-UNV
Lamps: Four 32WT8, each rated 3150

Floor Ceilings Walls(%)	80%			20% 70%			50%				
	70	50	30	10	70	50	30	10	50	30	10
0	69	69	69	69	68	68	68	68	65	65	65
1	65	62	60	58	63	61	59	58	59	57	56
2	60	58	53	50	58	55	52	49	53	50	48
3	55	50	46	43	54	49	46	43	48	44	42
4	51	45	41	37	50	44	40	37	43	39	38
5	47	40	36	32	46	40	37	43	39	36	32
6	44	35	32	28	42	38	31	28	35	31	28
7	40	33	29	25	39	32	28	25	32	27	24
8	37	29	25	22	36	29	25	21	28	24	21
9	34	28	22	19	33	26	22	19	25	21	19
10	32	24	20	16	31	24	19	15	23	19	16

Options

Antimicrobial: Agion™ Antimicrobial protection using silver technology inhibits bacterial colonization on metal interior and exterior surfaces. Agion™ antimicrobial FDA recognized and EPA registered, meeting all applicable EPA standards.



.125 Prismatic Acrylic Lens Standard