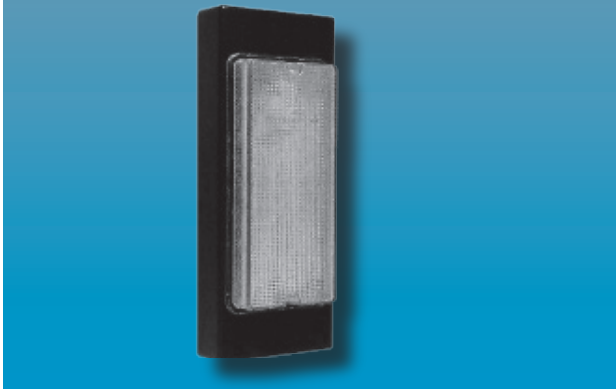


V135 SERIES
SURFACE MOUNTED LUMINAIRE

INSTITUTIONAL/BEHAVIORAL



Specifier's Reference	
Project Name	Type
Catalog No.	
Comments	

- **Listings/Certifications:** ETL (US/Canada) listing, Wet Location in Ceiling Mount, Damp Location in Wall Mount

Specifications

- **Housing:** One piece die cast aluminum.
- **Lens:** UV stabilized, injection molded multi patterned clear or blue tint prismatic polycarbonate lens.
- **Gasket:** Neoprene gasket seals out moisture, dust and insects.
- **Fasteners:** Center pin reject Allen head standard.
- **Lamps:** Lamps supplied by others. See below for lamping options.
- **Ballasts:** Standard Class P, sound rated A electronic ballasts. Other ballast options available.
- **Mounting:** Wall or ceiling mounted for indoor or outdoor areas.
- **Finish:** Multi-stage pretreatment process polyester powder coating. Gloss 83%, reflectance 90%, salt spray 1,000 hrs. Custom colors available; consult factory. Optional AgION™ antimicrobial finish available.

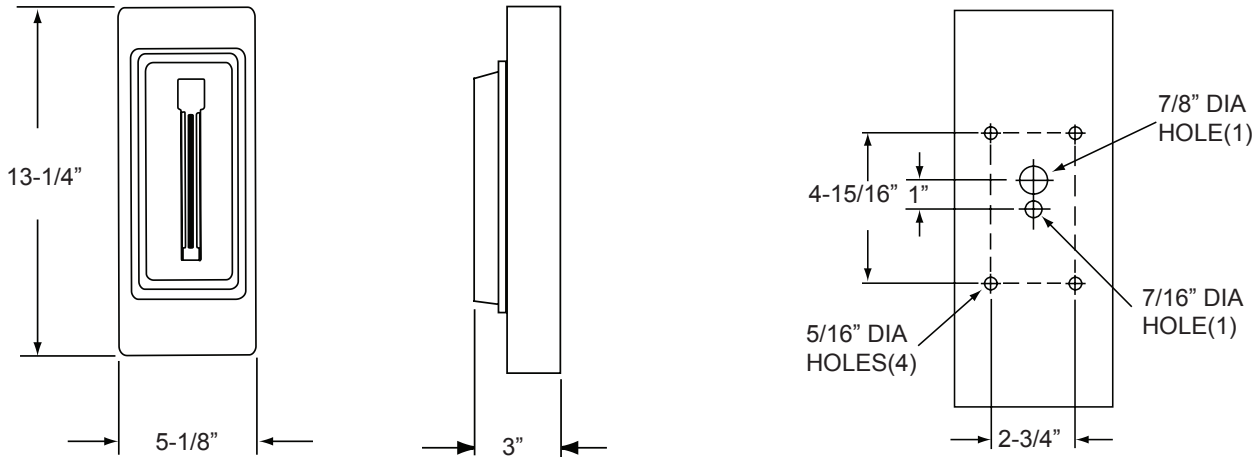
Ordering Information

Example: **V135 - 2PL13 - F1 - BT - 120V**

Series	Lamps	Fasteners	Options	Voltage
V135	-	-	-	-
	-1PL13 1-13W PL	-F1 Allen Head, Center Pin Reject, standard	-W White Lens	-120V
	-2PL13 2-13W PL	-SF Specified fasteners	-BT Blue Tint Lens	-277V
	-35HPS 1-35W HPS		-FS HLR/GLR Fuse & Holder set	-347V
	-50HPS 2-450W HPS		-PC Photo Cell (120V only)	
			-WH White Housing	
			-AG AgION Antimicrobial Protection on Painted Surfaces	

Note: Contact Factory For Additional Configurations.

Dimensions & Mounting



Photometry

Zonal Cavity Coefficient of Utilization

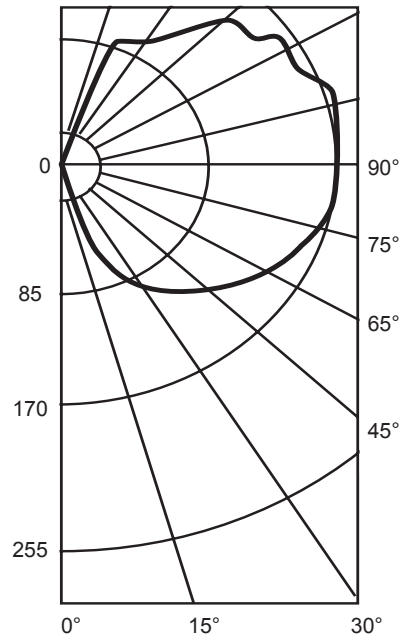
B.A.L.L. Test No. 8256.0, Product Catalog Number:

V-135-1PL13-F1-FS-UNV

Lamps: 1-F13TT/21, Rated 900 lumens.

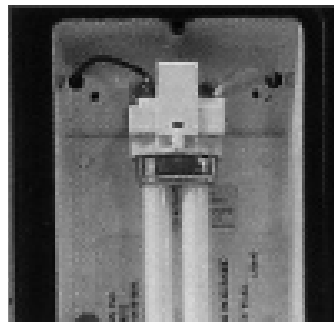
Floor Ceilings Walls(%)	80%				20% 70%				50%			
	70	50	30	10	70	50	30	10	70	50	30	10
0	.70	.70	.70	.70	.64	.64	.64	.64	.54	.54	.54	.54
1	.61	.57	.53	.50	.56	.52	.49	.46	.43	.41	.38	.38
2	.54	.48	.42	.38	.49	.44	.39	.35	.36	.32	.29	.29
3	.49	.41	.35	.30	.44	.37	.32	.28	.30	.26	.23	.23
4	.44	.35	.29	.25	.40	.32	.27	.23	.26	.22	.19	.19
5	.40	.31	.25	.20	.36	.28	.22	.18	.23	.18	.15	.15
6	.36	.27	.21	.17	.33	.25	.19	.15	.20	.16	.12	.12
7	.33	.24	.18	.14	.30	.22	.17	.13	.18	.14	.10	.10
8	.31	.22	.16	.12	.28	.20	.15	.11	.16	.12	.09	.09
9	.28	.19	.14	.10	.26	.18	.13	.09	.14	.10	.08	.08
10	.26	.18	.12	.09	.24	.16	.11	.08	.13	.09	.07	.07

**Candlepower
Distribution**

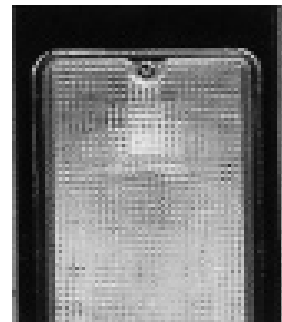


Features

Antimicrobial: Agion™ Antimicrobial protection using silver technology inhibits bacterial colonization on metal interior and exterior surfaces. Agion™ antimicrobial FDA recognized and EPA registered, meeting all applicable EPA standards.



One piece die cast housing



One piece injection molded UV stabilized polycarbonate lens